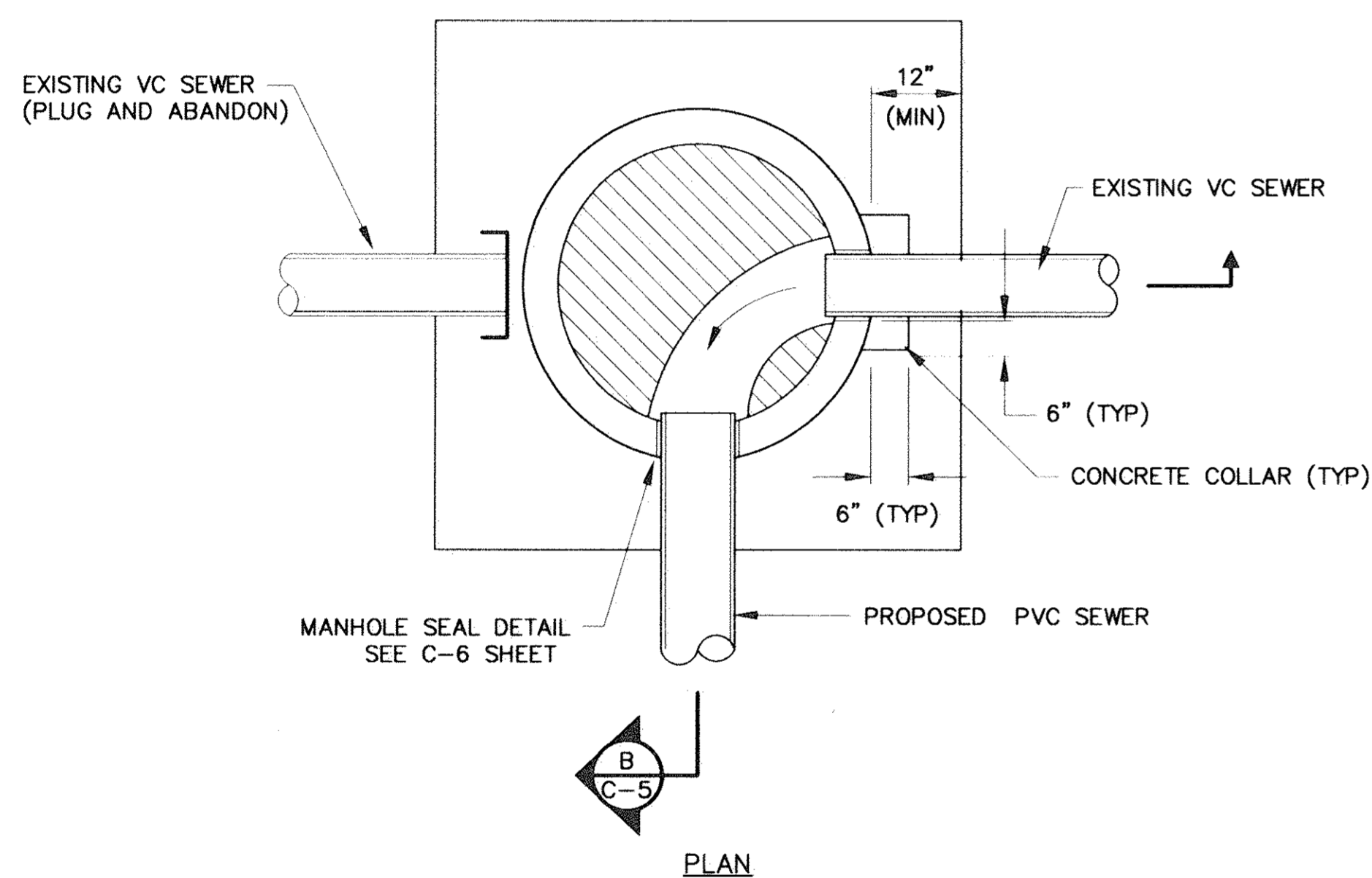


**NOTES:**

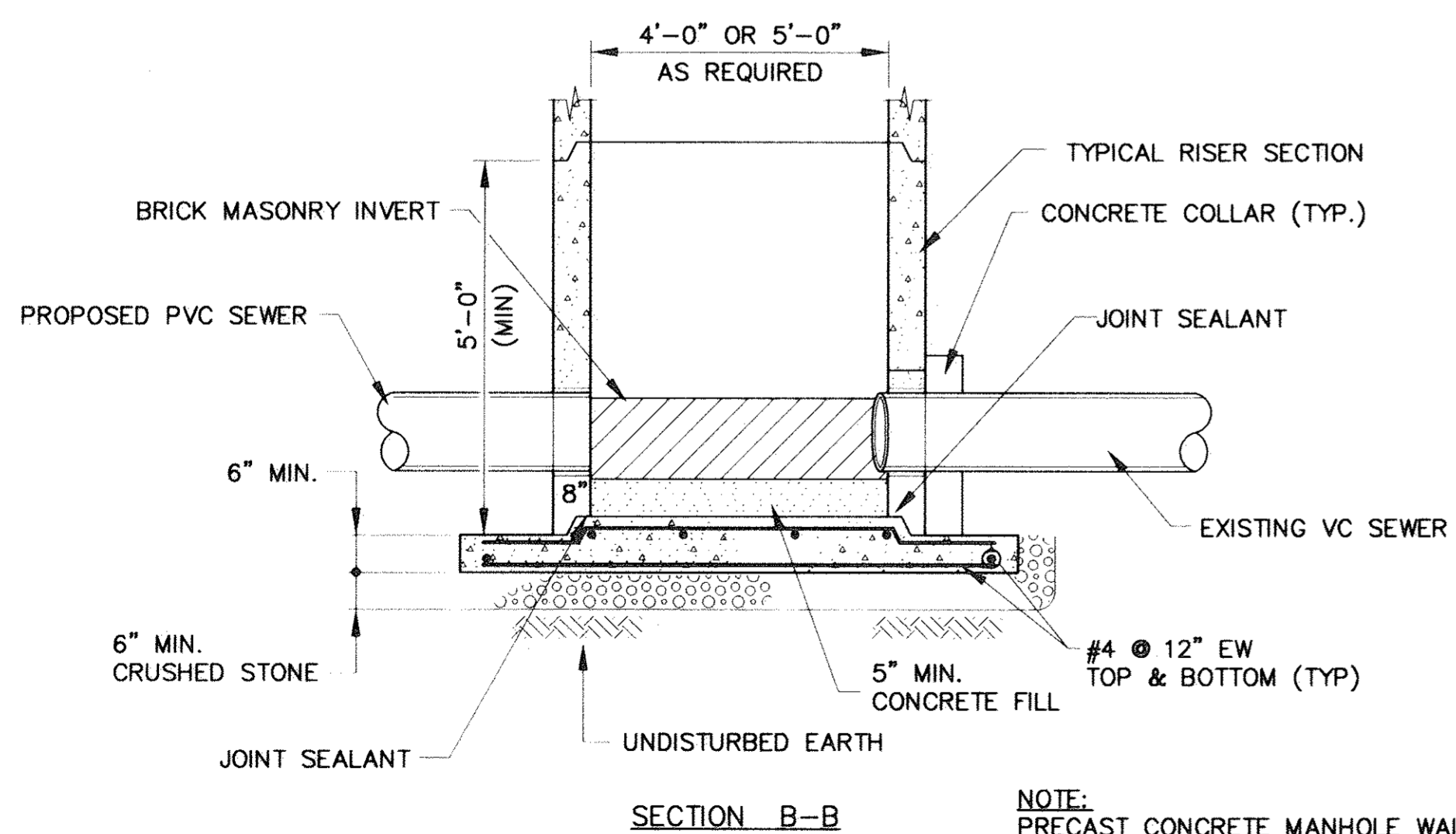
1. DROP PIPE TO BE SAME DIAMETER AS SEWER DISCHARGE INTO MANHOLE UNLESS OTHERWISE SHOWN ON DRAWINGS.
2. DIMENSIONS & CONSTRUCTION OF DROP MANHOLE TO BE SIMILAR TO TYPICAL MANHOLE EXCEPT AS SHOWN.
3. FOR PVC PIPE, EPOXY HALF PLUG TO PIPE. FOR DI, VC AND RC PIPE, MORTAR AND BRICK IN PIPE.

**DROP CONNECTION DETAIL**

N.T.S.



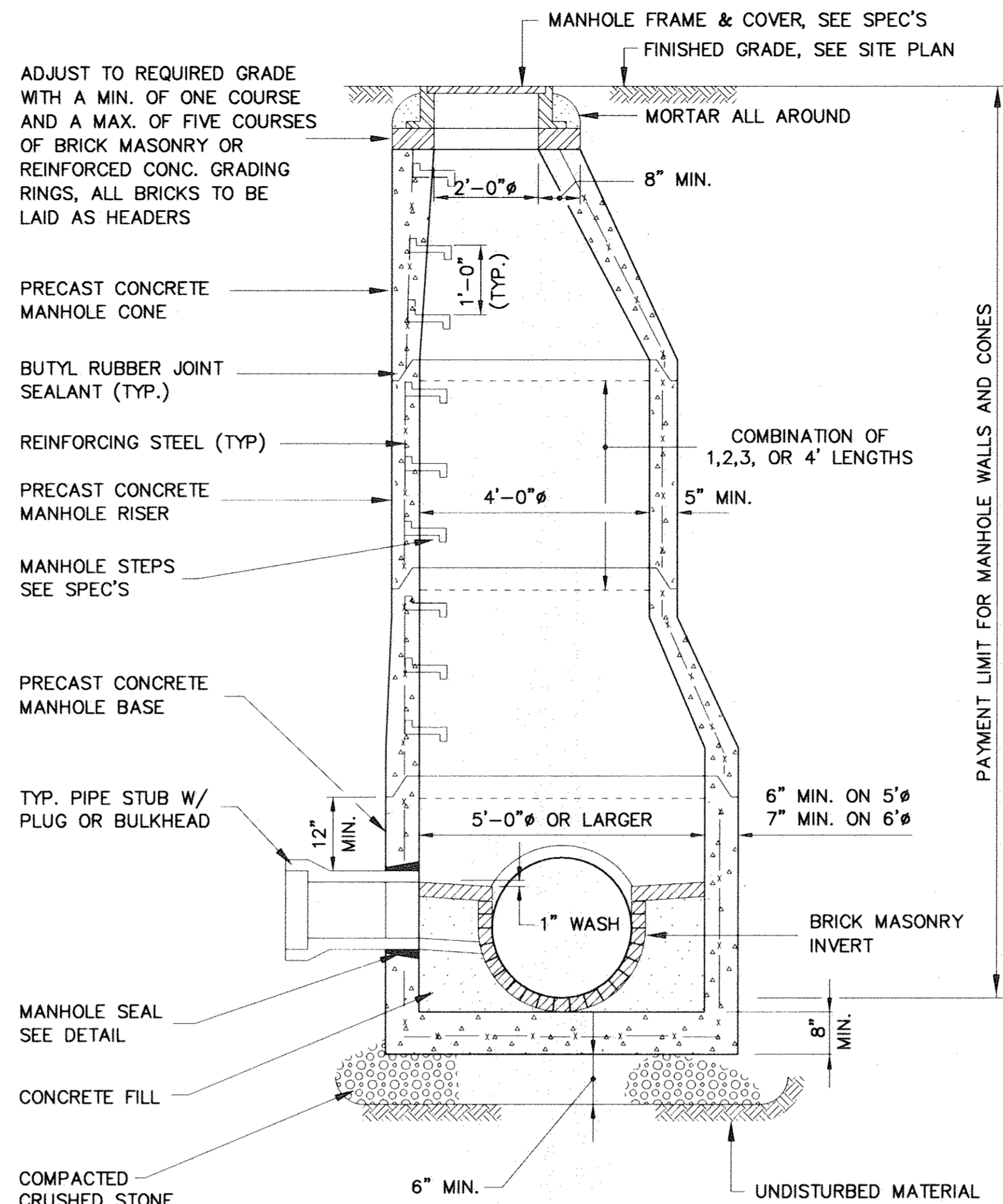
**PLAN**



**DROP-OVER MANHOLE BASE**  
**(SEE SHEET C-3)**

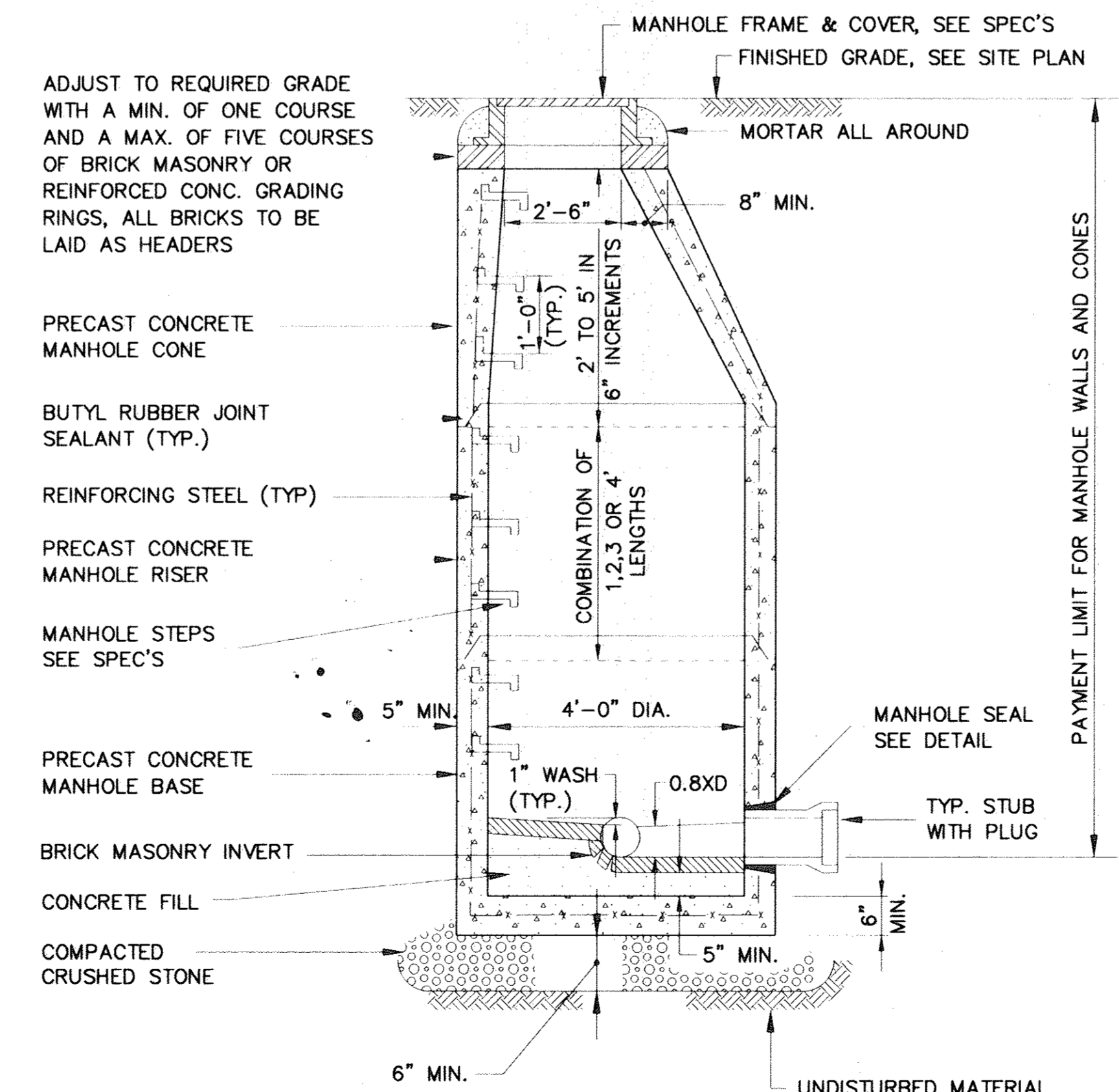
NOT TO SCALE

NOTE: PRECAST CONCRETE MANHOLE WALL SECTIONS, JOINTS, AND APPURTENANCES TO CONFORM TO MANHOLE DETAILS AND SPECIFICATIONS



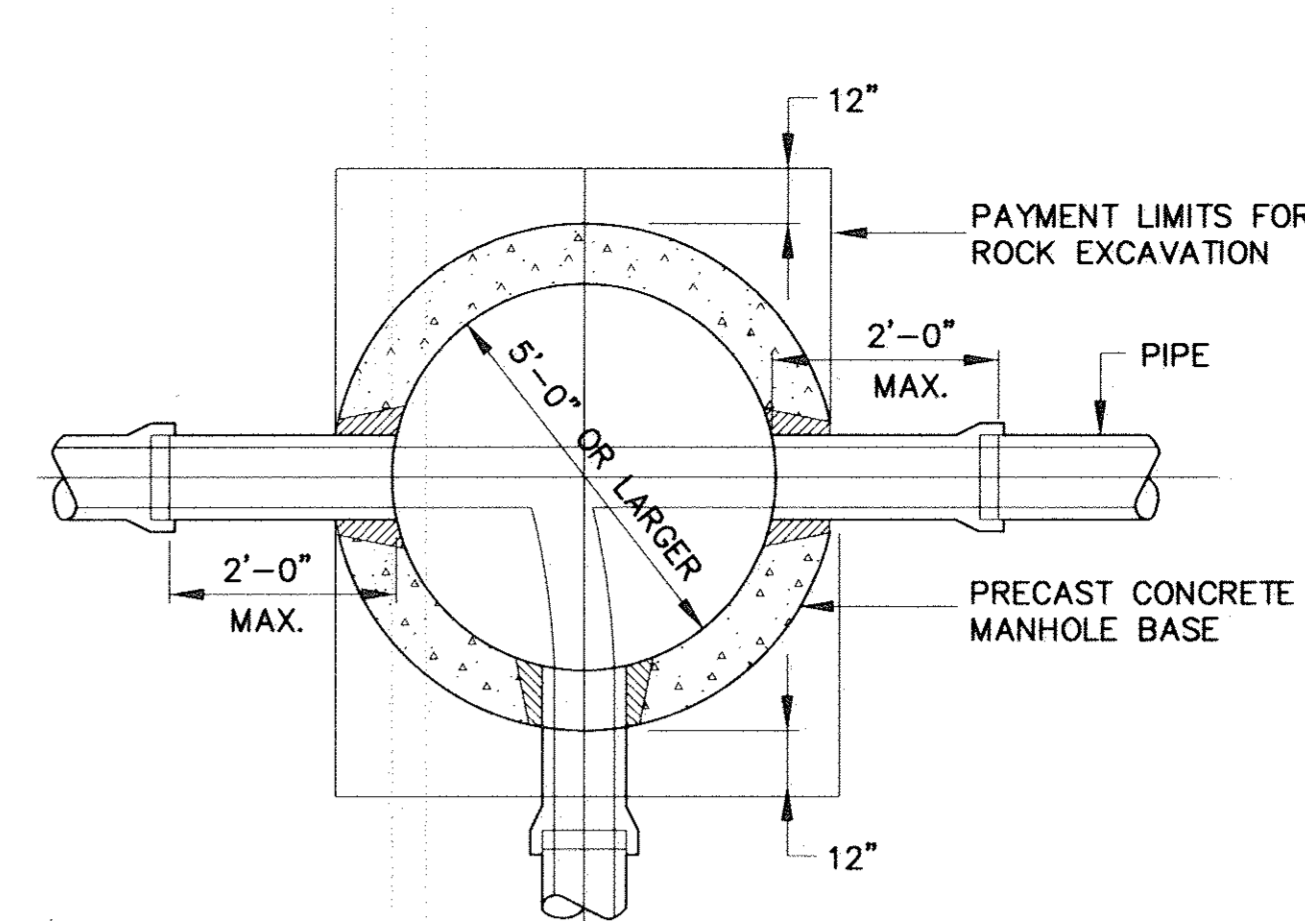
**5'-0\"/>**

N.T.S.



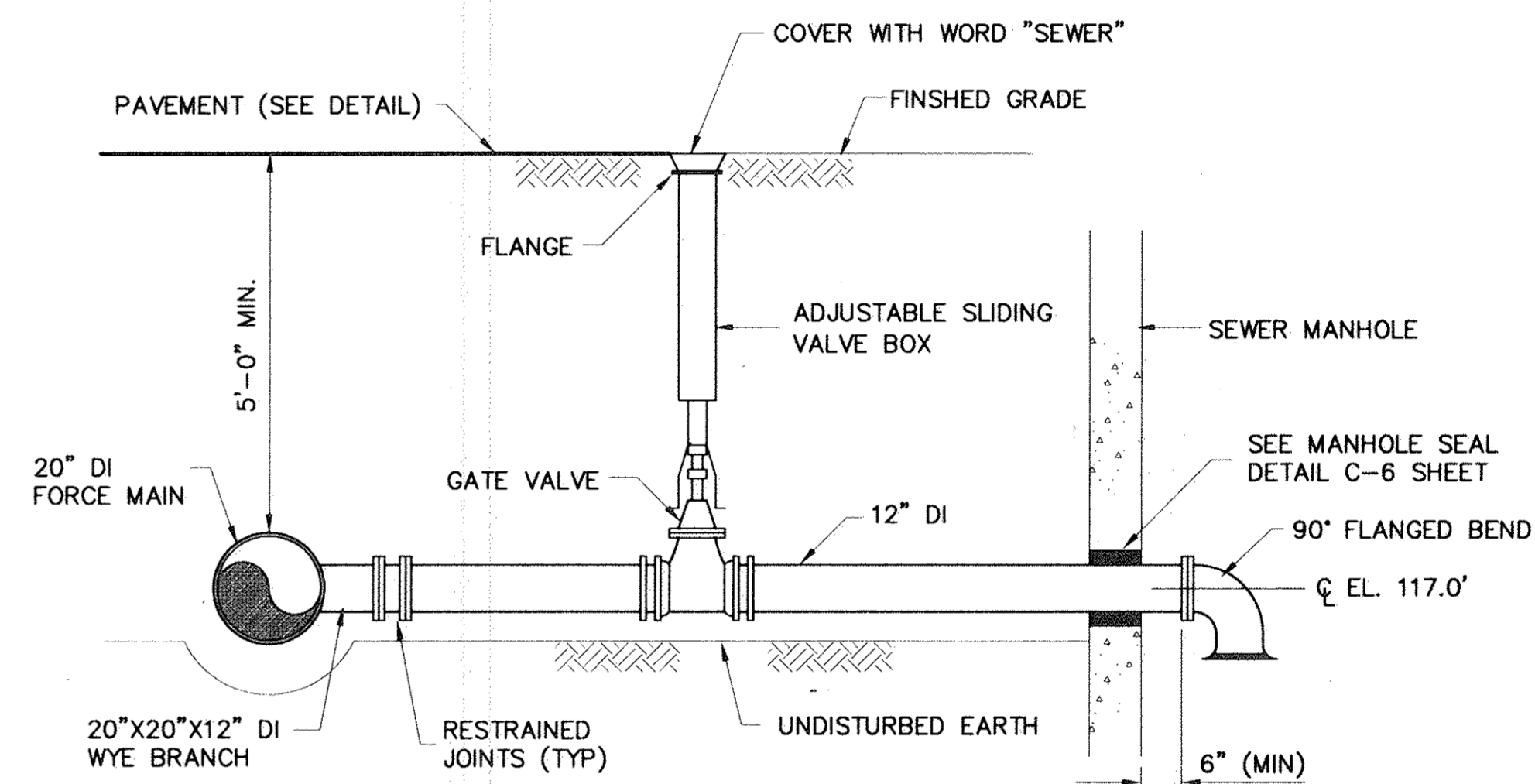
**4'-0\"/>**

N.T.S.



**5'-0\"/>**

N.T.S.

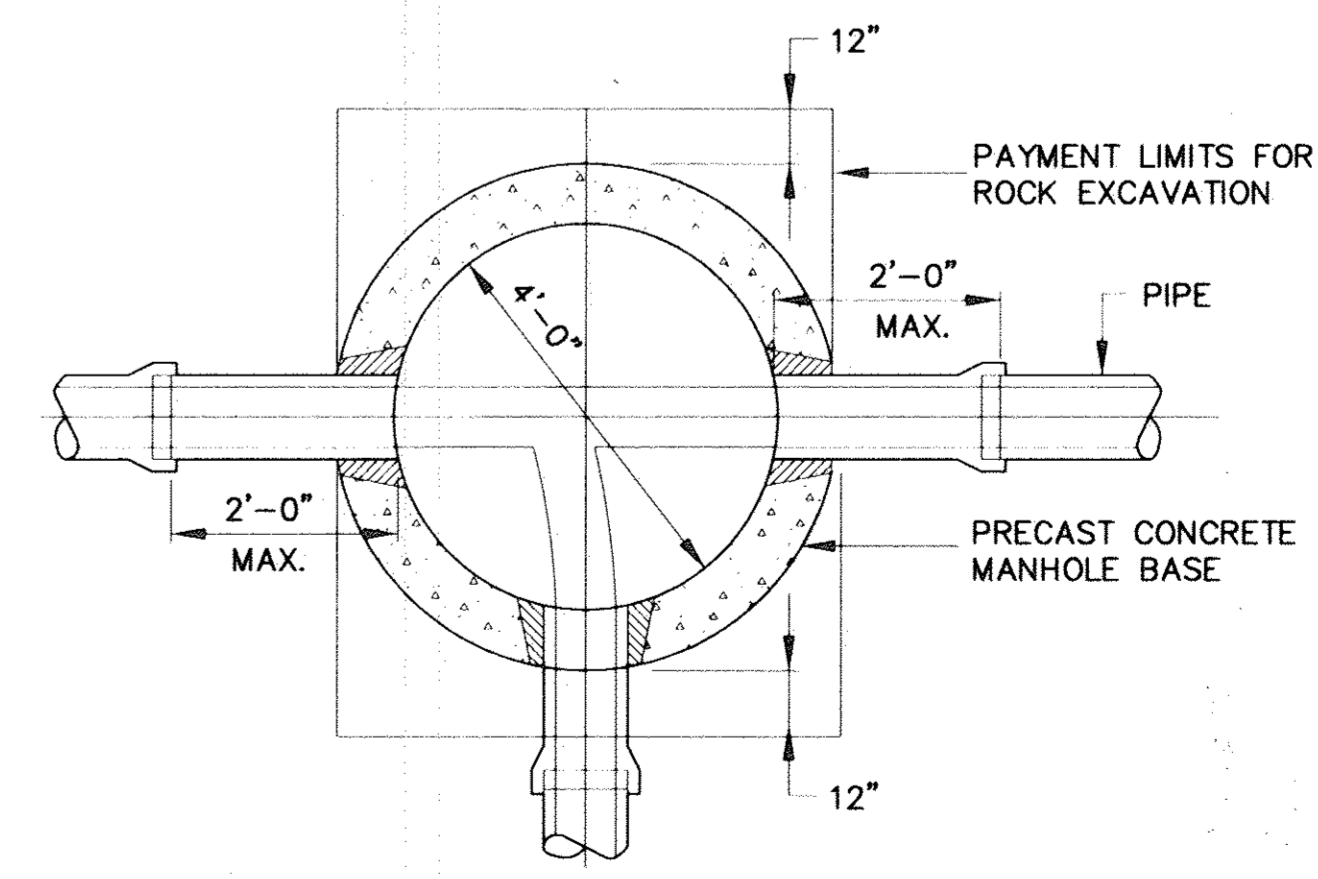


**NOTES:**

1. AS SHOWN ON PLANS, CONNECT TO SEWER MANHOLE.
2. TEE, VALVE AND BOX TO BE LOCATED AS SHOWN ON PLANS OR AS DIRECTED BY THE ENGINEER.

**FORCE MAIN CLEANOUT DRAIN DETAIL**

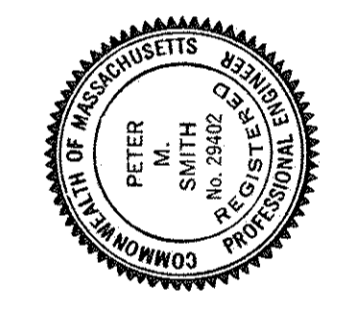
N.T.S.



**4'-0\"/>**

N.T.S.

2	5/95	M.R.K.	M.L.M.	F.W.Y.	REVISED FOR RECORD DRAWING
1	7/91	S.G.I.	M.L.M.	P.M.S.	GENERAL REVISIONS
No.	Date	Dr. By	Ck. By	App. By	Description
		A	P	R	O
		V	E	D	
					DATE: 1/15/94



TOWN OF LEXINGTON, MASSACHUSETTS DEPARTMENT OF PUBLIC WORKS NORTH LEXINGTON MAIN PUMPING STATION	FILE NO. 69-58	SCALE: NOTED	CONTRACT: 92-1	JOB NO. 9065	DR. BY R.W.S.	CK. BY M.L.M.	APP. BY P.M.S.
--	-------------------	-----------------	-------------------	-----------------	------------------	------------------	-------------------

**C-5**