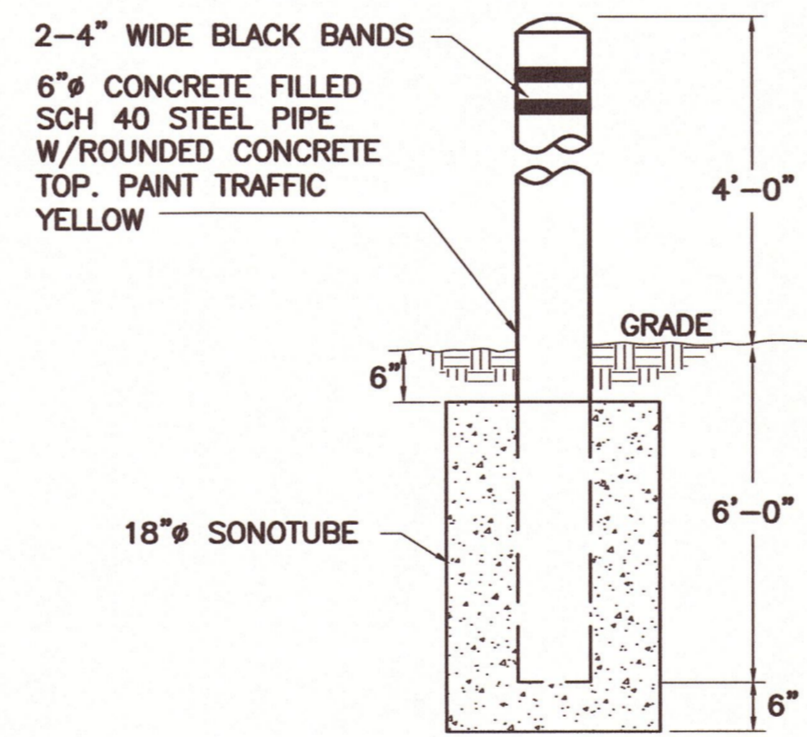
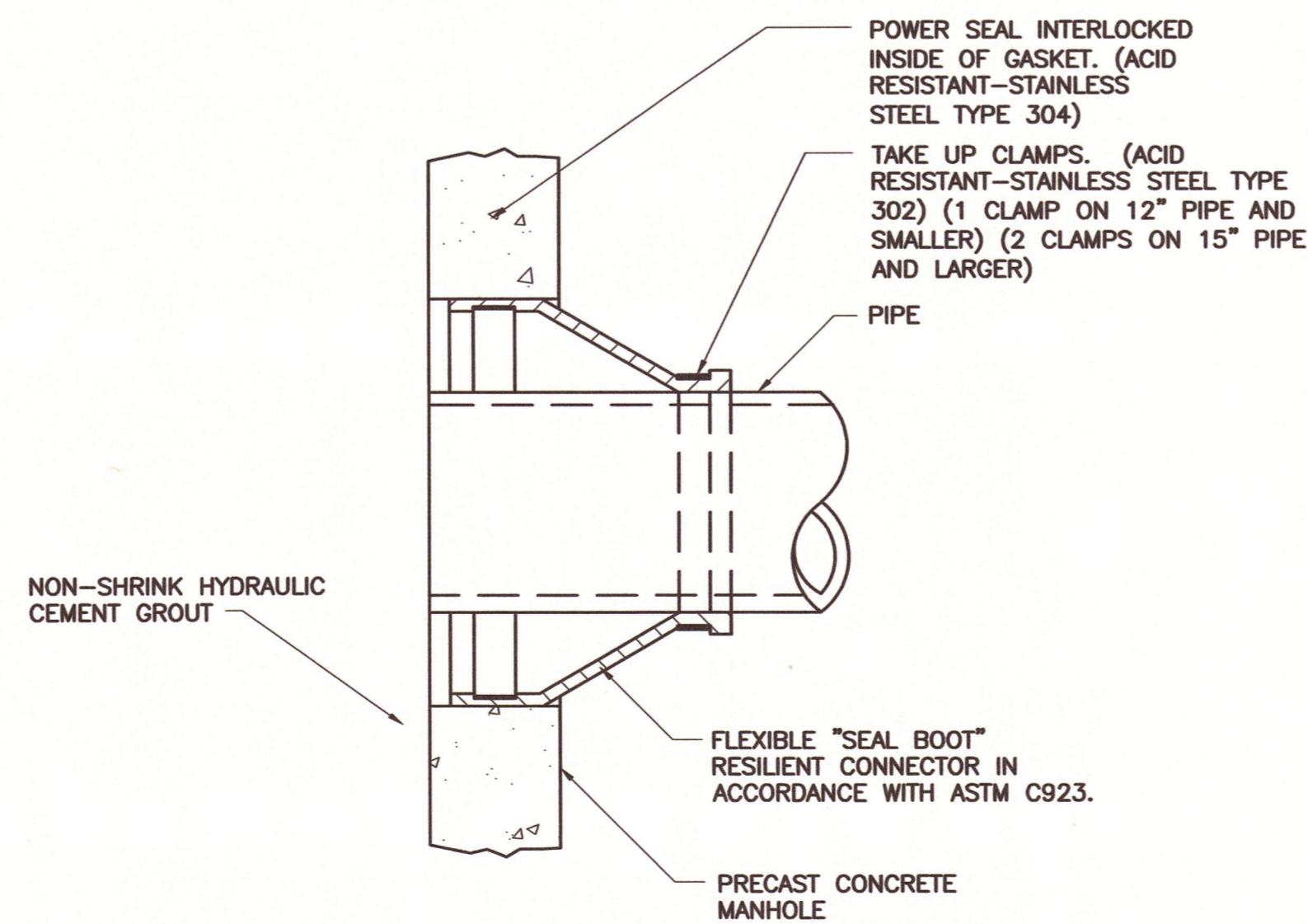


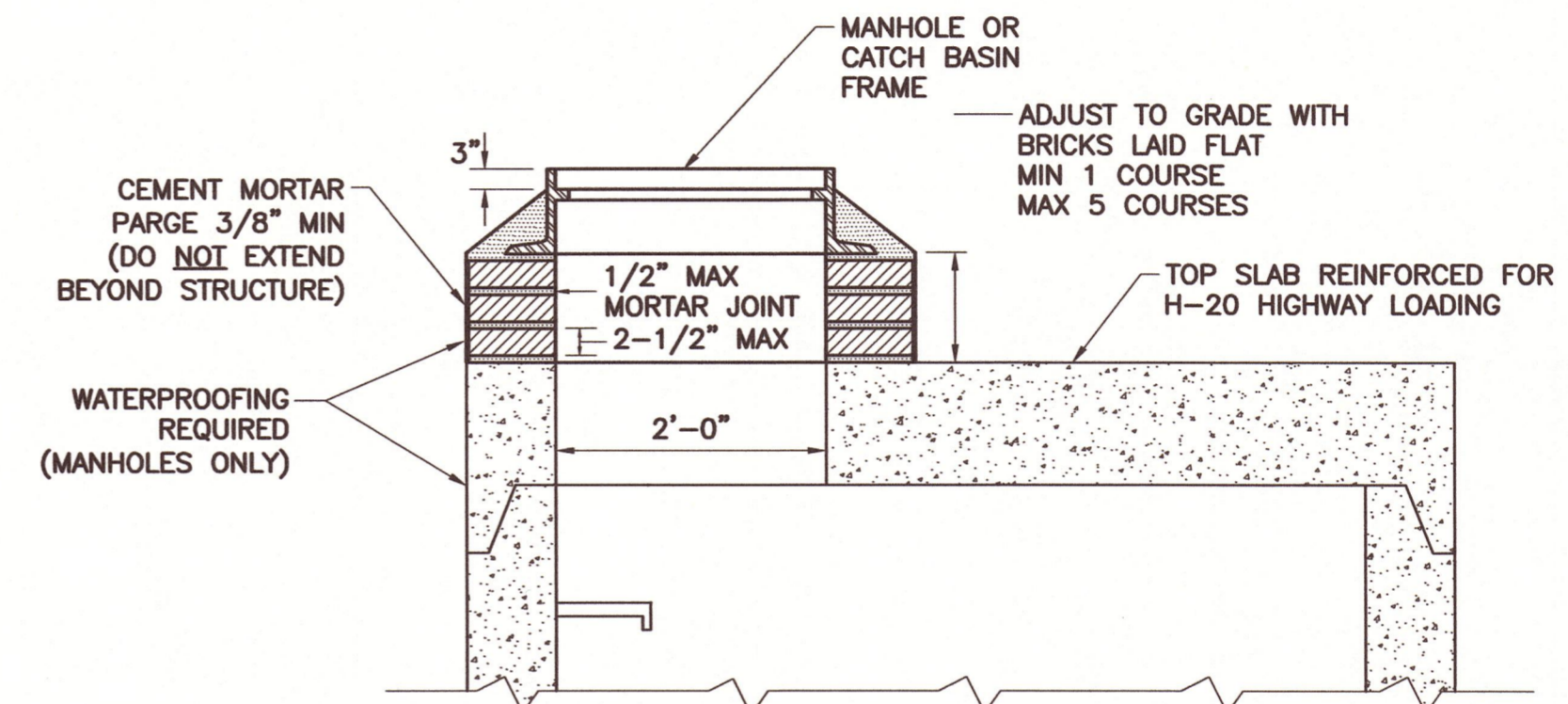
**VENT ASSEMBLY**  
SCALE: NTS



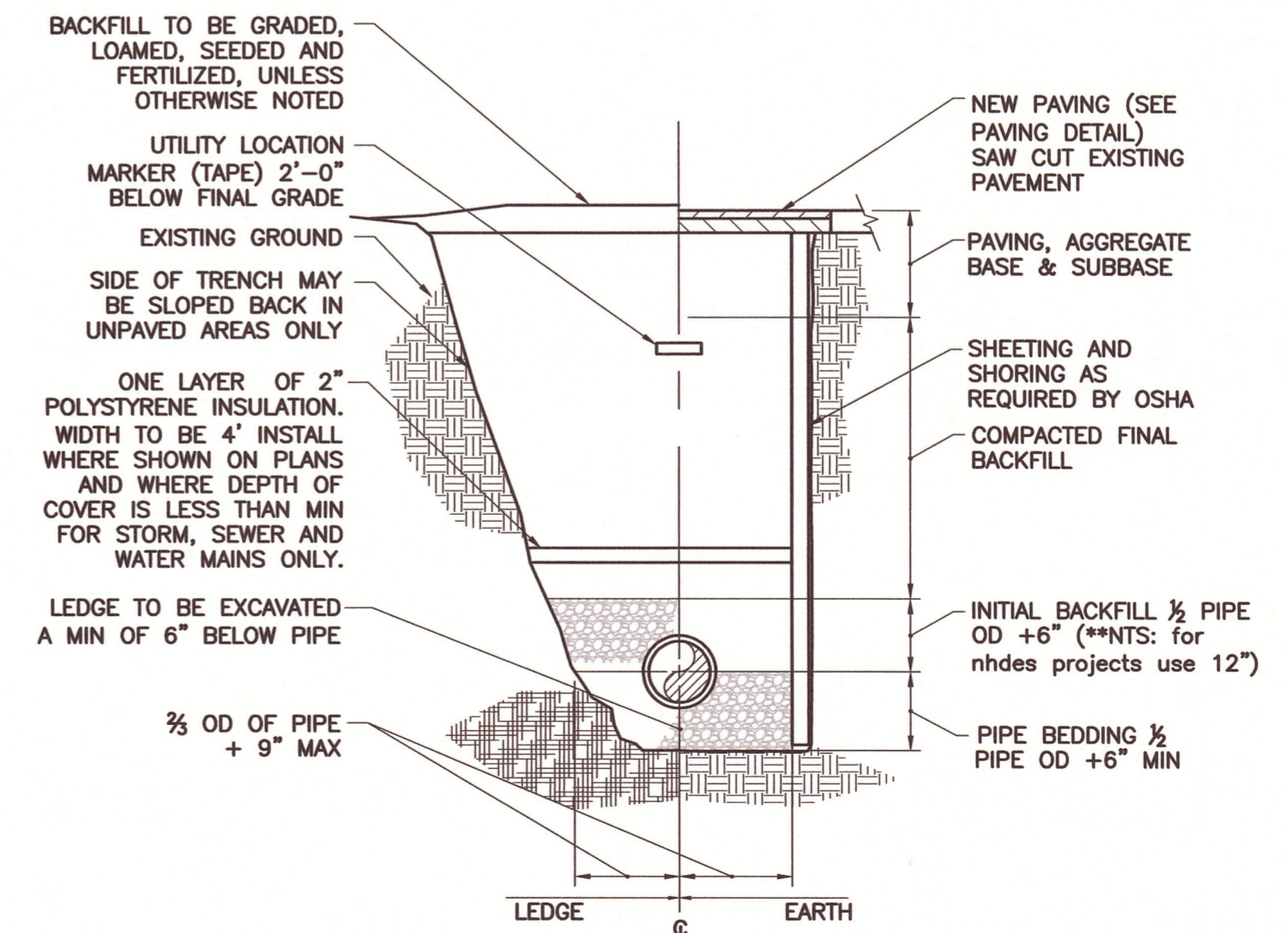
**BOLLARD**  
SCALE: NTS



**MANHOLE SEAL**  
SCALE: NTS



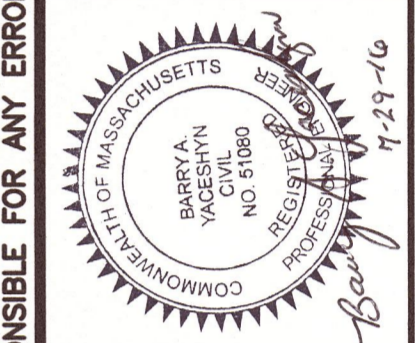
**FLAT SLAB TOP MANHOLE AND CATCH BASIN FRAME INSTALLATION**  
SCALE: NTS



- NOTES:**
1. ALL EXCAVATION MUST MEET OSHA STANDARDS.
  2. INSTALL 3 FOOT LONG IMPERVIOUS MATERIAL DAM IN BEDDING/INITIAL BACKFILL MATERIAL EVERY 100' AND WHERE SHOWN ON PLANS TO PREVENT TRENCH GROUNDWATER FROM BEING CHANNLED ALONG BEDDING/INITIAL BACKFILL.
  3. SEE SPECIFICATIONS FOR BEDDING AND BACKFILL REQUIREMENTS.

**PIPE TRENCH**  
SCALE: NTS

NO	ISSUED FOR	DATE
1	ISSUED FOR BID	11/14
2	RECORD DRAWINGS	07/16



DESIGNED BY: ALK/BAY  
 CAD: SCV  
 CHECKED BY: KRO  
 DATE: 11/14  
 APPROVED BY: KMO  
 DATE: 11/14  
 PROJECT NO: 12938A

**WRIGHT-PIERCE**  
 Engineering a Better Environment  
 Offices Throughout New England  
 888.621.8156 | www.wright-pierce.com

TOWN OF LEXINGTON, MA  
 BRIGHAM ROAD WASTEWATER  
 PUMP STATION UPGRADE