

WATER SERVICE RECORD

Service No. 438

Name Benjamin Gott

Address 29 Sylvia Street

Location

~~Repair-Renewal~~—New Service

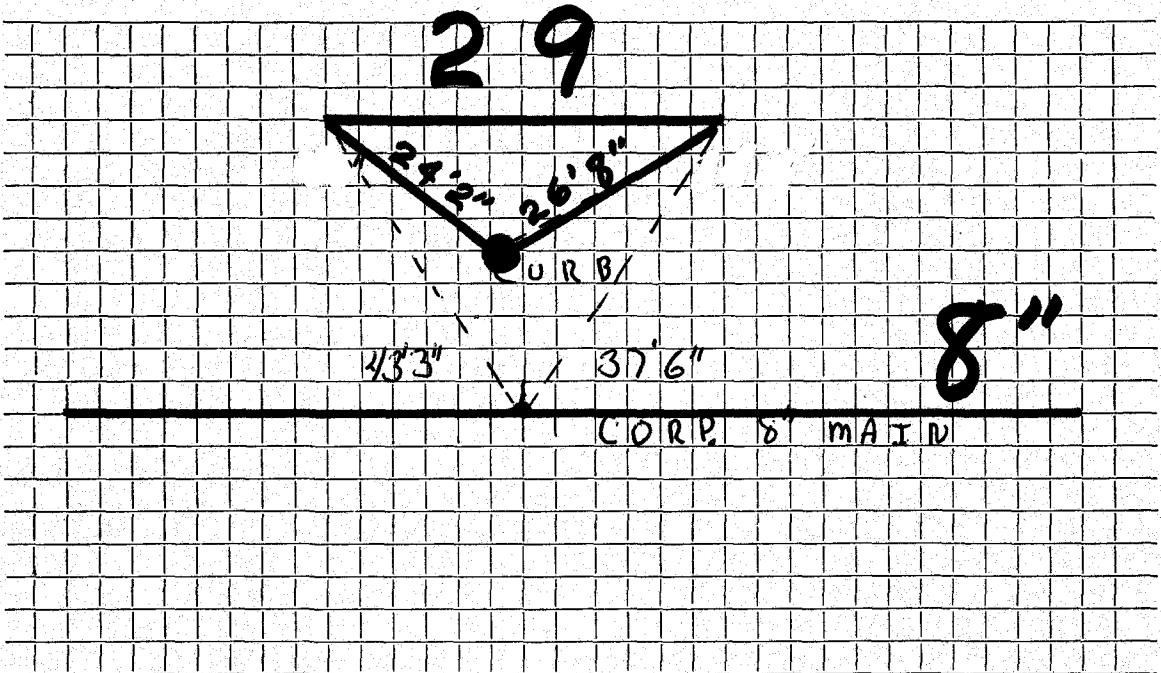
Committed 4-2-56

Date	Material	Amount	Total	Date	Amount
1-4-56	Labor	1 85		12-28-55 Deposited	\$ 25 00
	10% overhead	19	2 04	4-2-56 Refunded	2 25
	30' - 3/4" Copper tubing @ .50		15 00	NON-CHARGE	22 75
	1 - 3/4Cx $\frac{1}{2}$ I.W.H. Stop & Waste		4 96	1-4-56 Labor	1 85
	1 hr. trucking		75	10' - 3/4" Copper tubing @ .50	5 00
			22 75	1 - 3/4" Corp Cock	4 34
				1 - 3/4" Gurb Cock	5 94
				1 Box & Rod	4 62
				1 - $\frac{1}{2}$ Straight tailpiece	50
				1 - $\frac{1}{2}$ Offset tailpiece	50
				7-5-'66'	22 75
				2' $\frac{3}{4}$ " Copper	
				1 $\frac{3}{8}$ " Corp Cock	
				1 $\frac{3}{4}$ " Union	

TOWN OF LEXINGTON — BOARD OF PUBLIC WORKS

WATER DIVISION

Sketch of Service Here



Connection made in Street. Work completed

Remarks:
.....
.....