

WATER SERVICE RECORD

Name

Service No.

Address

4 Milk Street

Location

Repair—Renewal—New Service

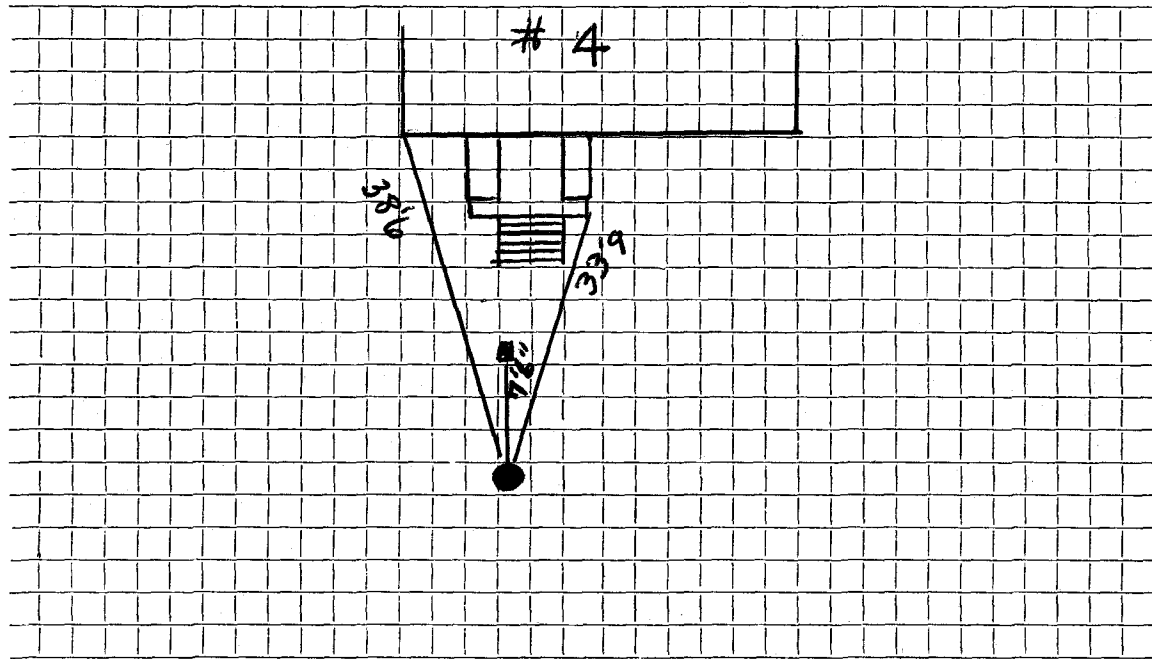
Date	Material	Amount	Total	Date		Amount
9/17/51	Labor	1. 49				
	10% O.H.	15	1. 64			
	30' 3/4" Copper Tubing @ .326		9. 78			
	1 3/4" Valve		4. 00		OUTSIDE	
				9/17/51	Labor	1.49
					36' 3/4" Copper	
					1 3/4" C. Comp Cock	
					1 3/4" C. X 3/4" C. Curb Cock Comp.	
					1 3/4" C. Comp Union	
					1 Box + Rod	

DATE _____

TOWN OF LEXINGTON — BOARD OF PUBLIC WORKS

WATER DIVISION

Sketch of Service Here



Connection made in Street. Work completed

Remarks:

.....
.....