

WATER SERVICE RECORD

Name Daniel C. Bennett

Service No. 5

Address 49 Follen Road

Location Lexington

~~Repair~~ ~~Renewal~~ ~~New Service~~ W.O. No. 3155

Comm 7-8-75

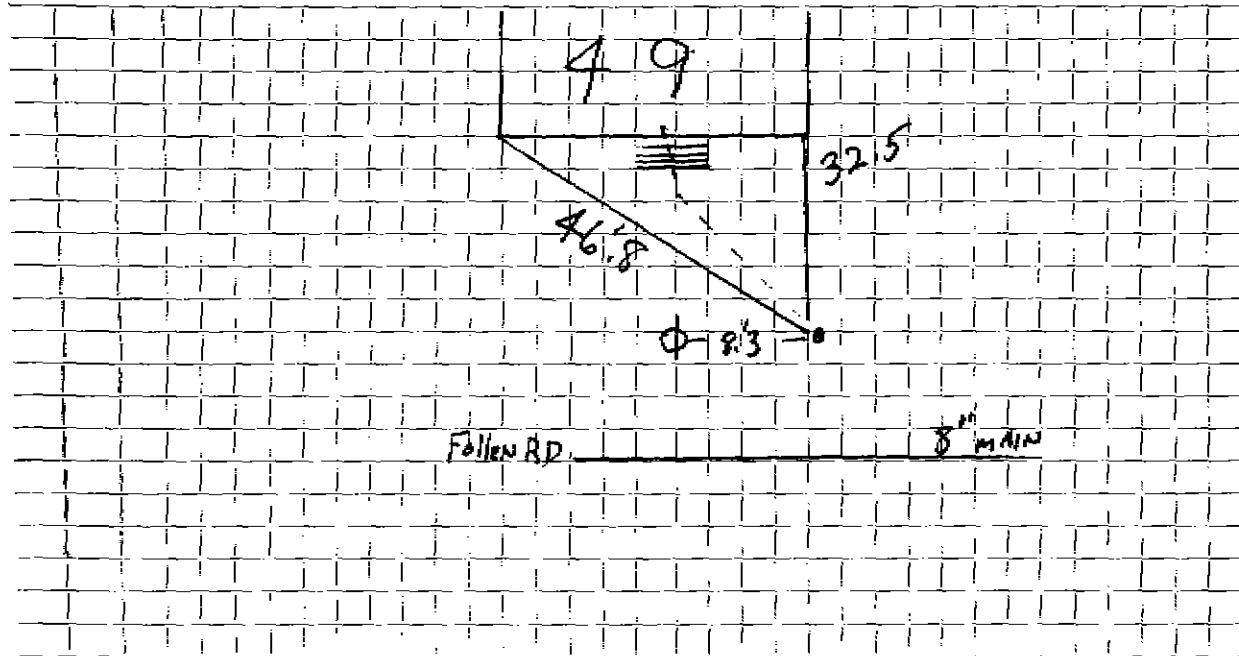
Date	Material	Amount	Total	Date	Service into Curb	Amount
3/18/75	Labor	80.28		3-14-75	Deposit	275.00
	10% O.H.	8.03		7-28-75	Retard	185.77
			88.31			149.53
49'	3/4" Copper Pipe @1.01		49.49		NON-CHARGE	
1	3/4" Wheel Valve		15.43	4-15-75	Labor	\$ 10.60
1	Hr. Trucking		3.00	2	Yds. Loam @5.00	10.00
2	Hrs. Backhoe		13.00	2	Lbs. Grass Seed @.95	1.90
			169.23	1	Hr. Trucking @3.00	3.00
						\$25.50

DATE _____

TOWN OF LEXINGTON — BOARD OF PUBLIC WORKS

WATER DIVISION

Sketch of Service Here



Connection made in Street. Work completed

Remarks:

.....

.....