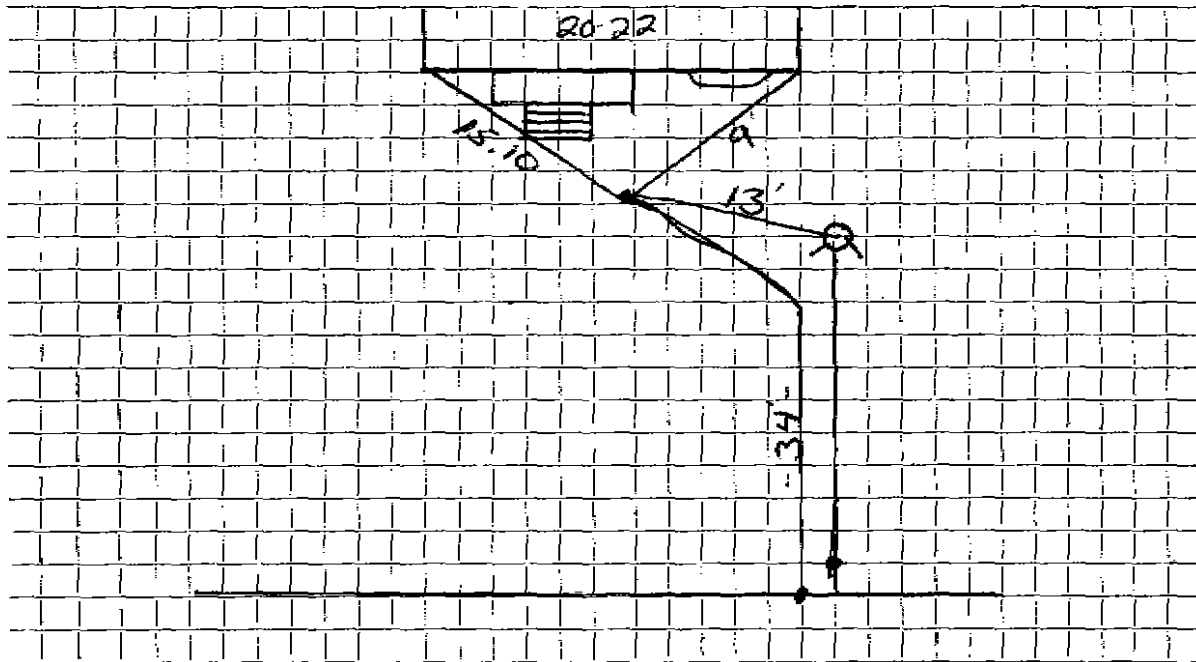


DATE _____

TOWN OF LEXINGTON — BOARD OF PUBLIC WORKS
WATER DIVISION

Sketch of Service Here



Connection made in 10-28-92 Street. Work completed

Remarks: 2" Gas Main 1 Foot Above Water Main