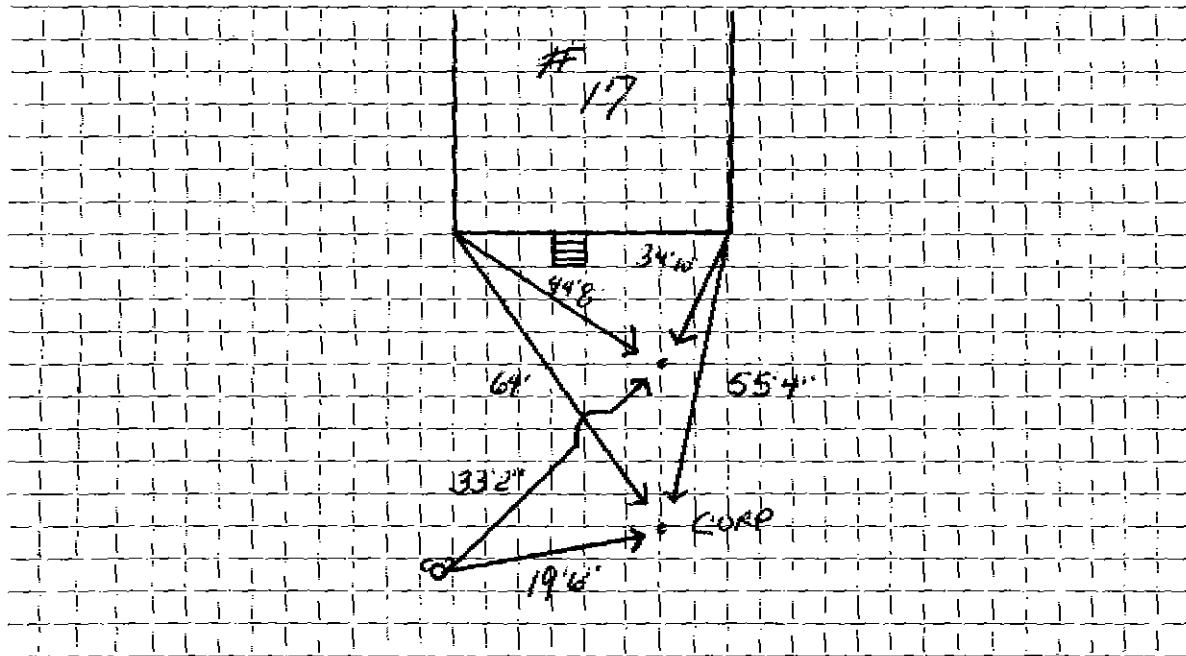


DATE _____

TOWN OF LEXINGTON — BOARD OF PUBLIC WORKS

WATER DIVISION

Sketch of Service Here



Connection made in Street. Work completed

Remarks:

.....

.....