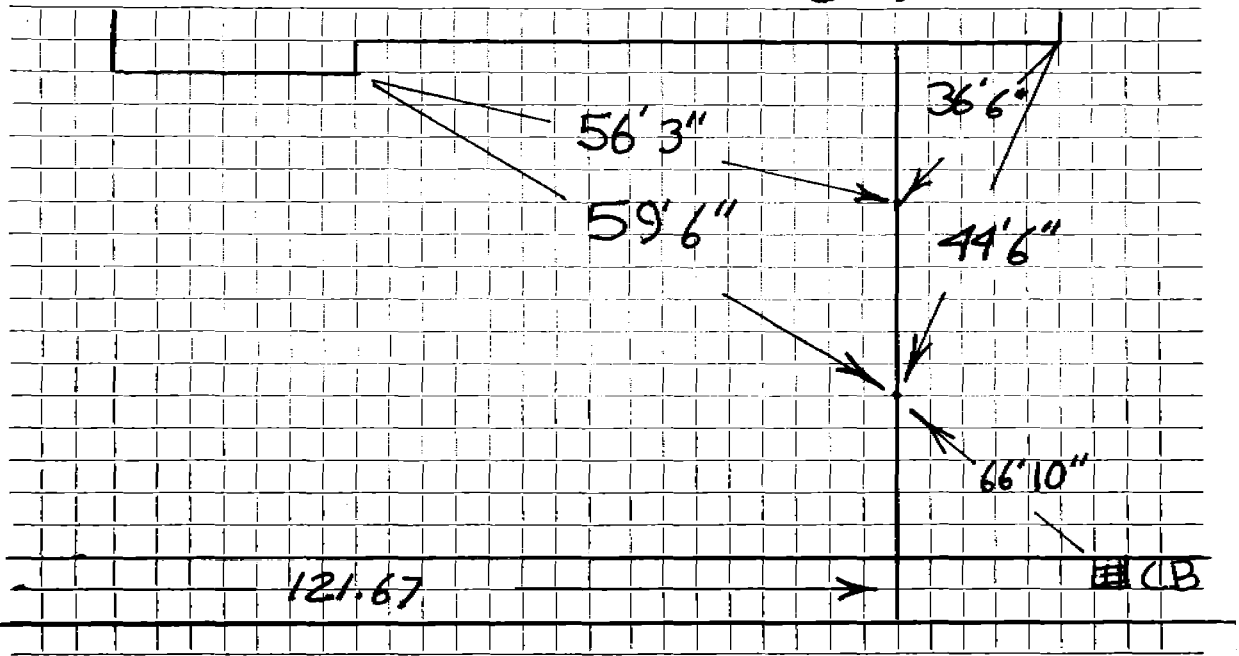


DATE _____

TOWN OF LEXINGTON — BOARD OF PUBLIC WORKS
SEWER DIVISION

Sketch of Service Here **57**



SMH

Connection made in Street. Work completed

Remarks:
.....
.....