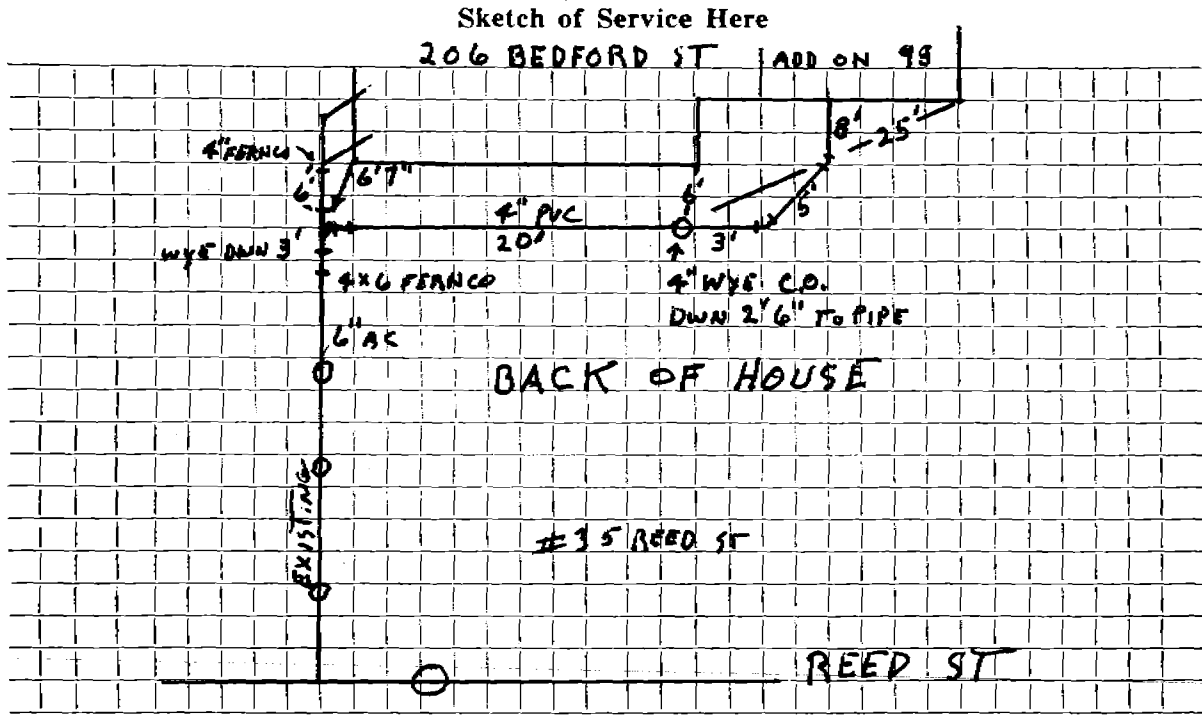


DATE _____

TOWN OF LEXINGTON — BOARD OF PUBLIC WORKS
SEWER DIVISION



Connection made in Street. Work completed

Remarks: SEE 2ND CARD FOR M.H. TIES
.....
.....

Name N. Y. Brothers Trust

Service No. 82

Address 206 Bedford St

Location

Kind of Pipe

Size

Size of Main

~~Repair - Renewal~~ - New Service Valeri #3115

W.O.#1156

Location NOV 19 1973

Date	Material	Amount	Total	Date	Amount	
8/13/73	Labor	123.63		8-8-73	Deposit	500.00
	10% O.H.	12.36	135.99	1-1-74	Paid	113.96
25'	6" Transite @.99/ft.		24.75			313.96
1	6" Cap		1.77	2-27-98	Roots in M.H. closest to street	
½	bag Cement		.55			
10	yds. Gravel @ 2.19		21.90			
2	ton Stone @ 3.00		6.00			
	Patch 12' x 11'		87.00			
2	hrs. Town Shovel @ 6.50		13.00			
7	hrs. Trucking @ 3.00		21.00			
½	hr. Roller @ 4.00		2.00			
			<u>\$ 313.96</u>			

8-23-93 376' 6" Transite pipe
18' 4" Cast Iron

2-27-98 Manholes surcharged
Service Blocked

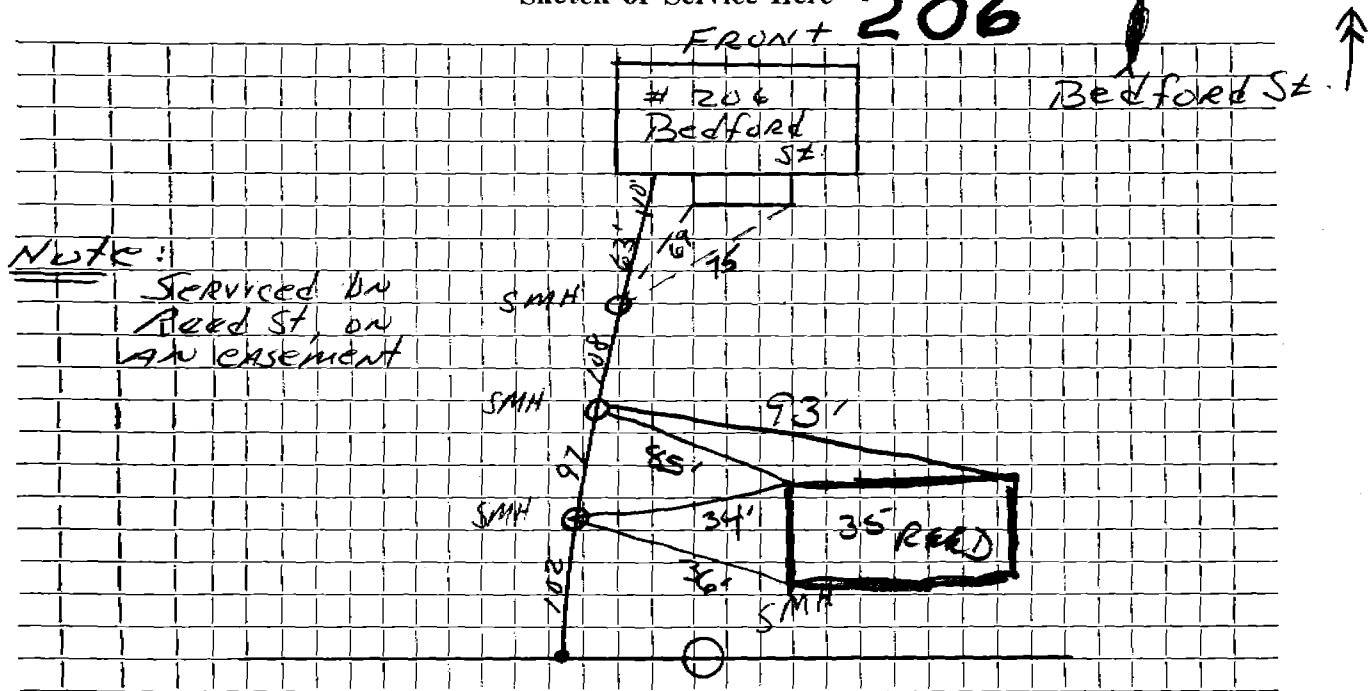
DATE _____

TOWN OF LEXINGTON — BOARD OF PUBLIC WORKS

SEWER DIVISION

Sketch of Service Here

206



NOTE:
SERVICED BY
REED ST. ON
AN EASEMENT

Connection made in Street. Work completed

Remarks:
.....
.....