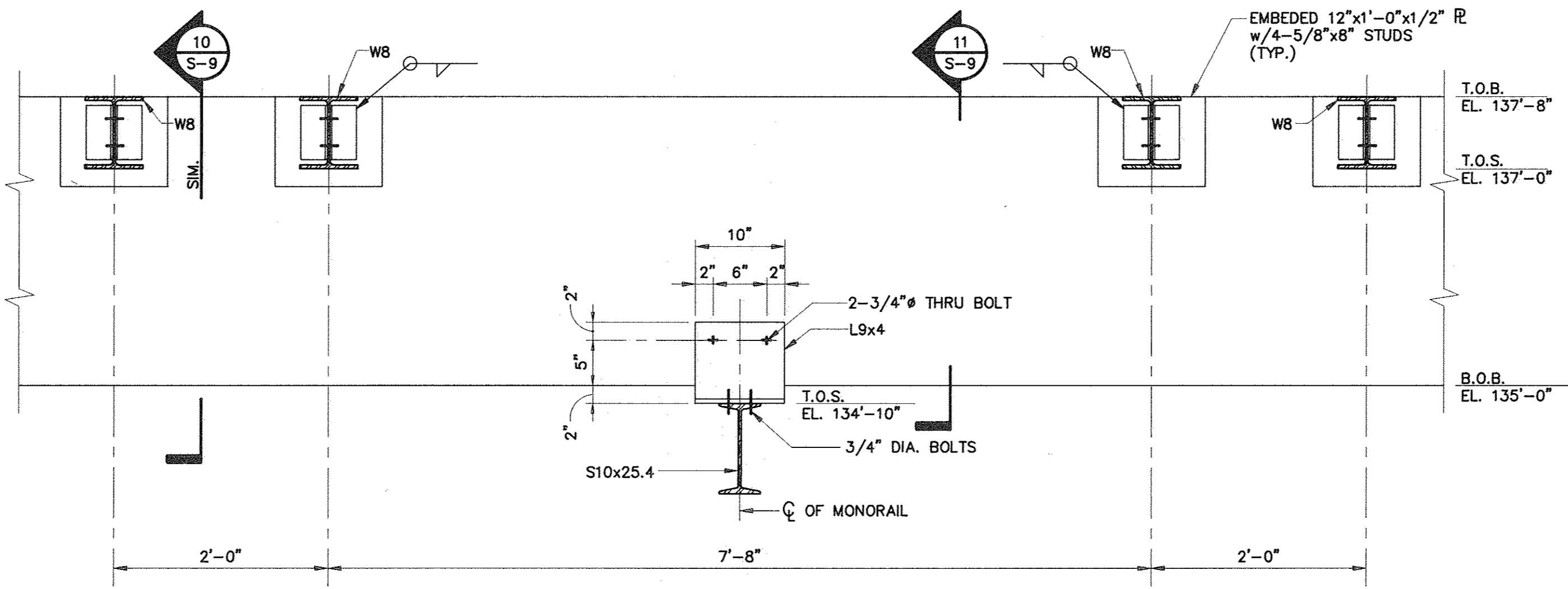
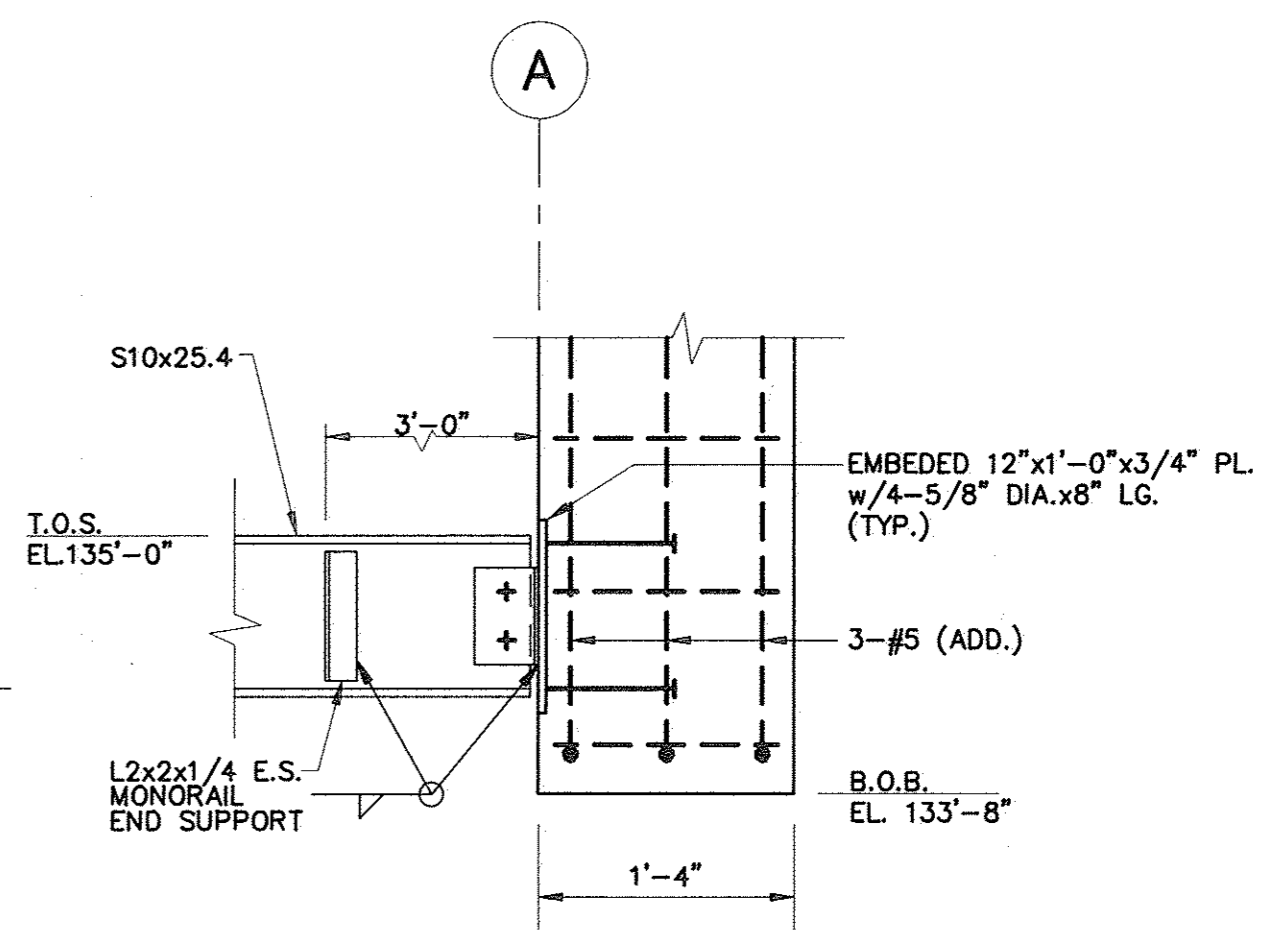


**SECTION 4**  
SCALE: 1" = 1'-0"

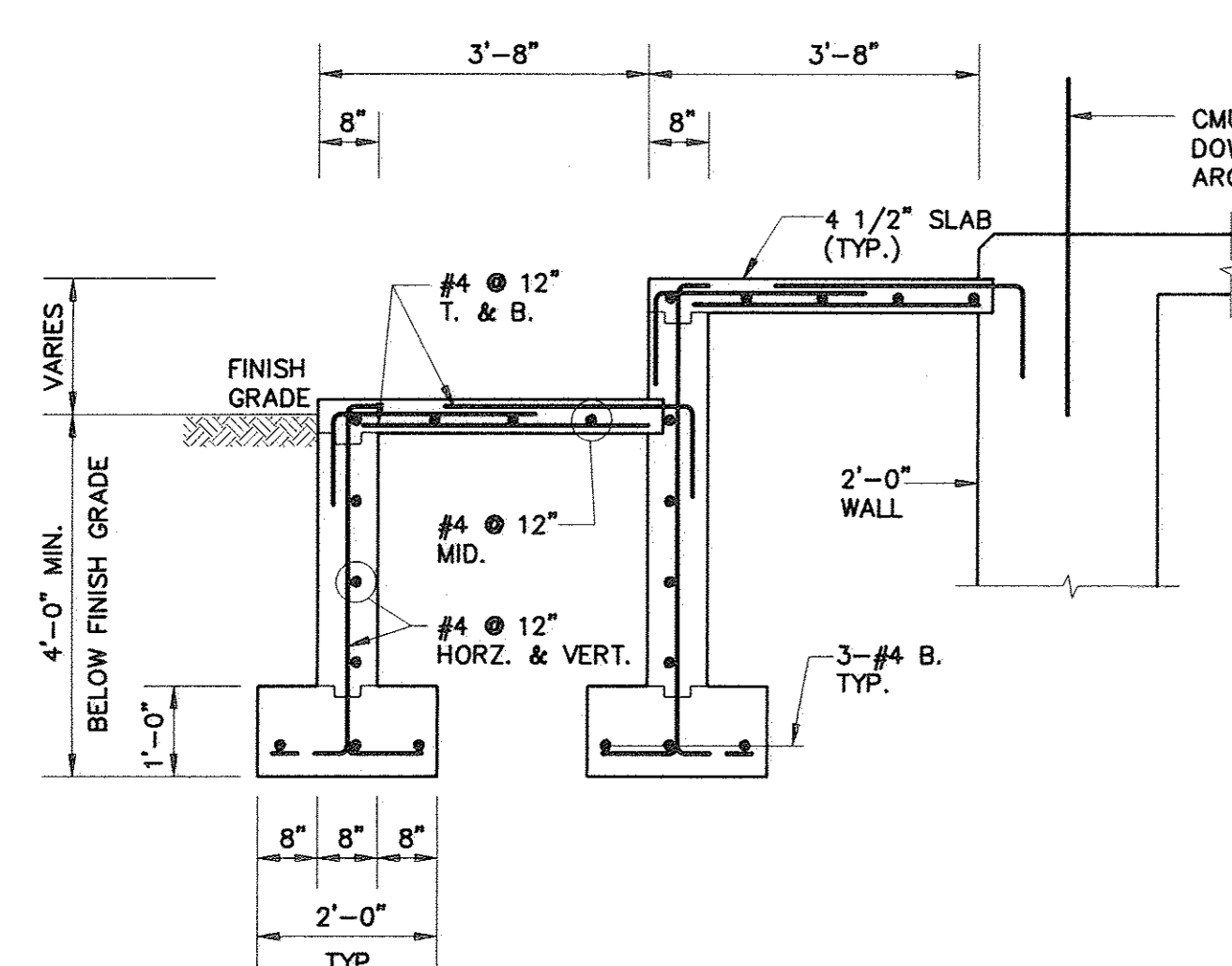


NOTE:  
FOR REBARS SEE BEAM SCHEDULE

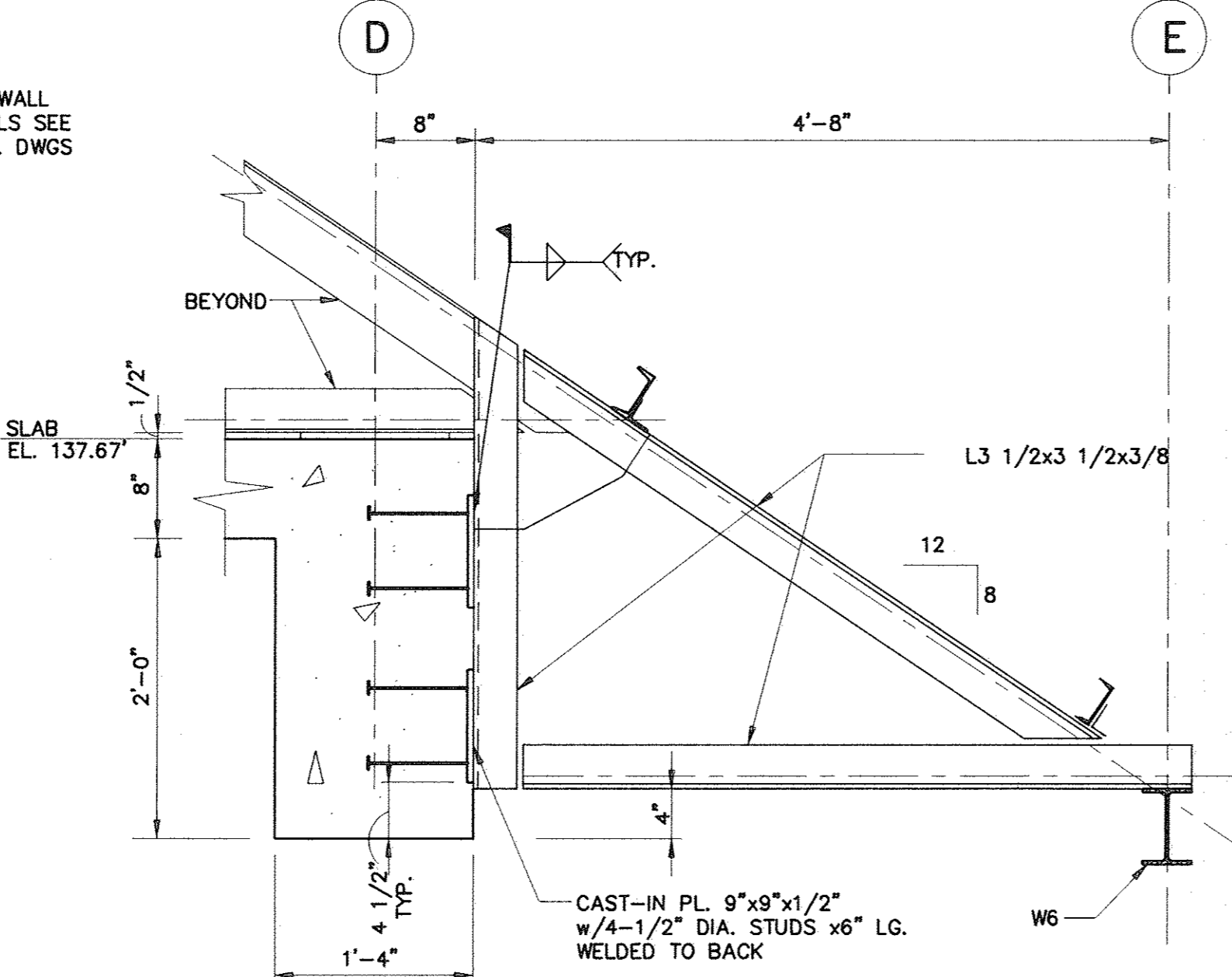
**SECTION 6**  
SCALE: 1" = 1'-0"



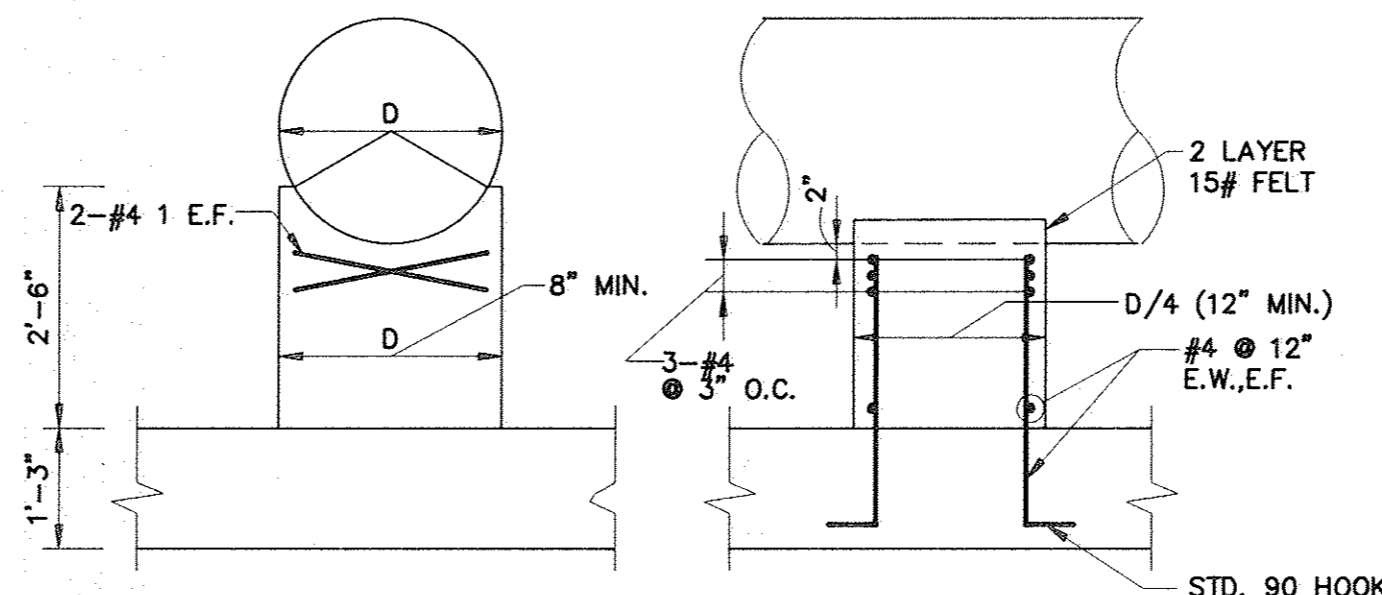
**SECTION 10**  
SCALE: 1" = 1'-0"



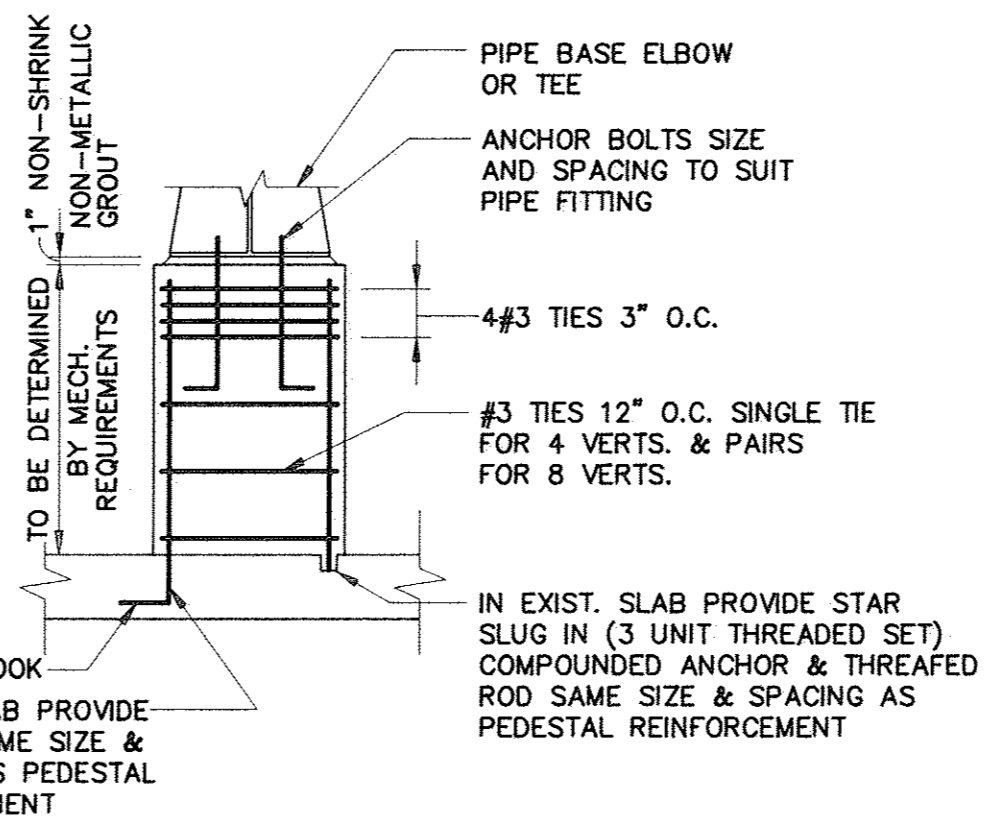
**SECTION 5**  
SCALE: 1/2" = 1'-0"



**SECTION 7**  
SCALE: 1" = 1'-0"

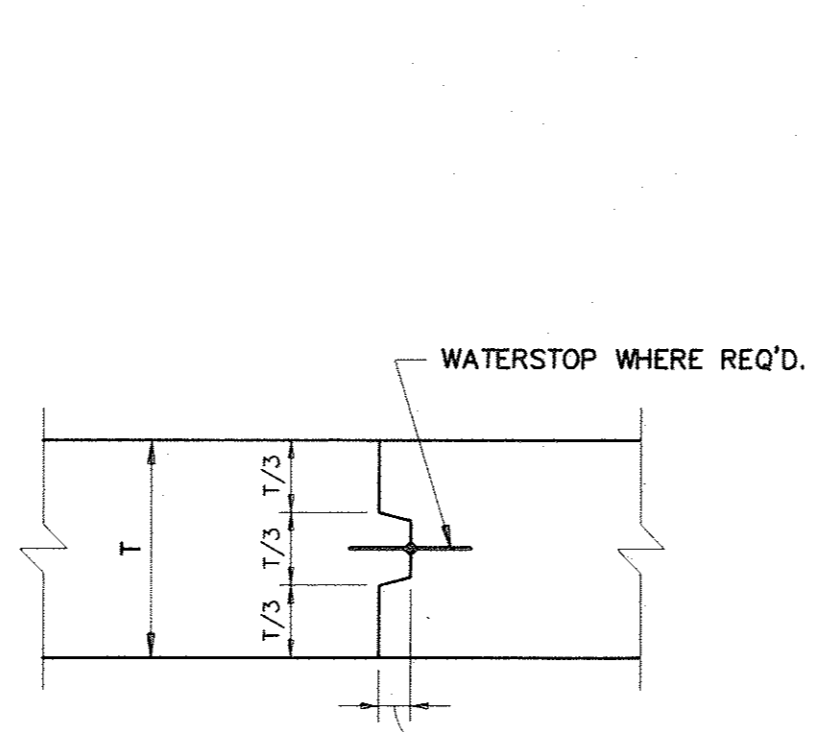


**PIPE SUPPORT DETAIL**

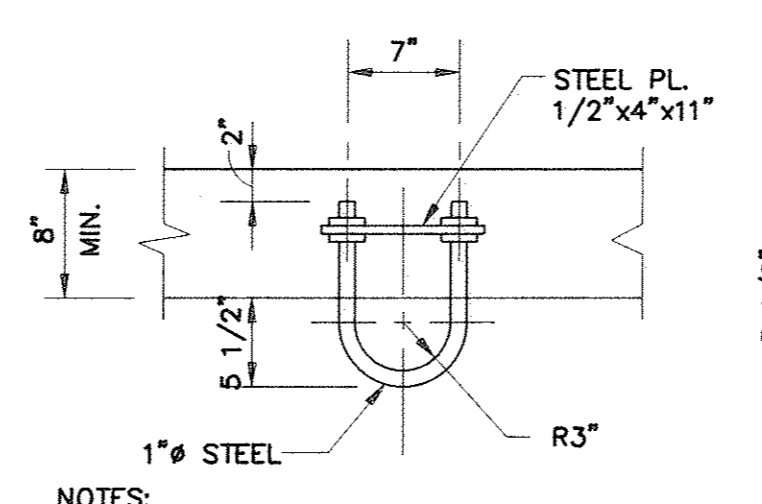


**PIPE BASE SUPPORT DETAIL**

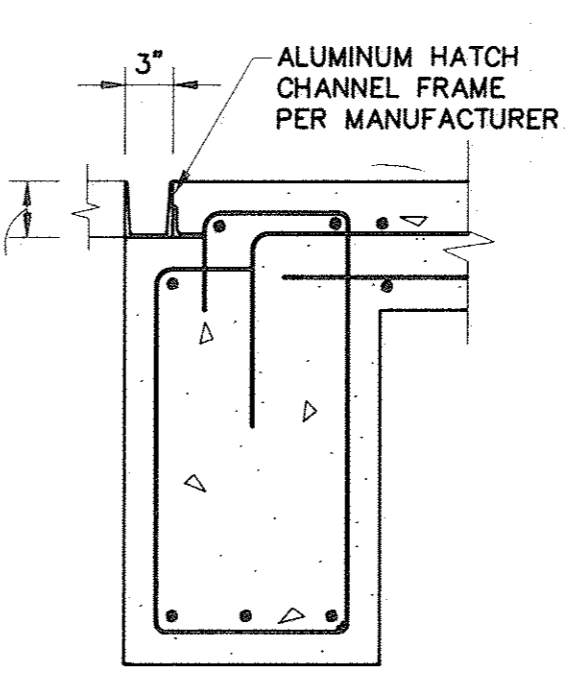
**CONCRETE PEDESTALS**  
SCALE: 1/2" = 1'-0"



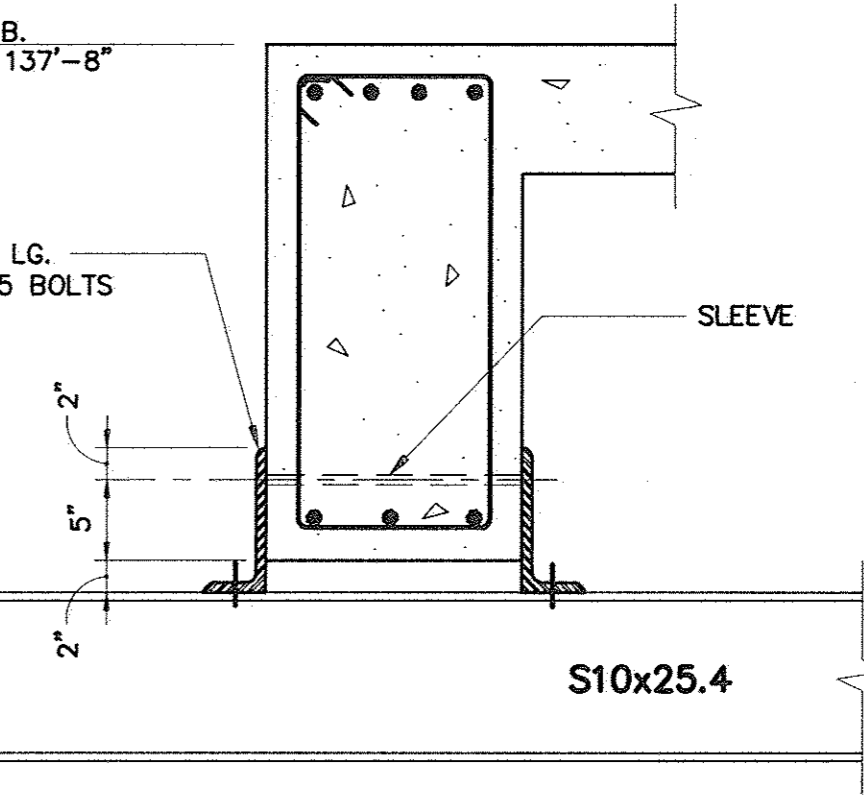
**CONSTRUCTION JOINT DETAIL**  
N.T.S.



**LIFTING HOOK DETAIL**  
SCALE: 1" = 1'-0"

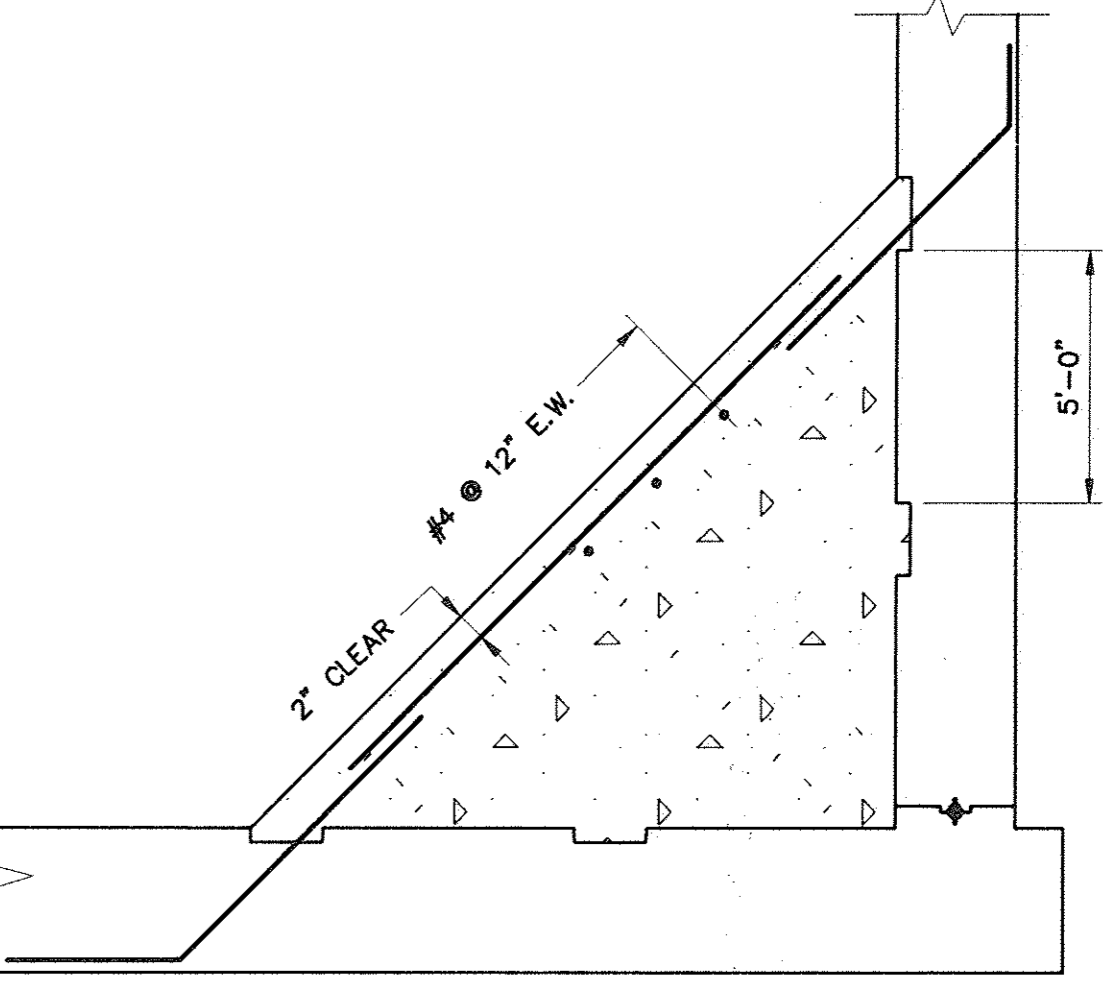


**HATCH FRAME**  
SCALE: 1" = 1'-0"

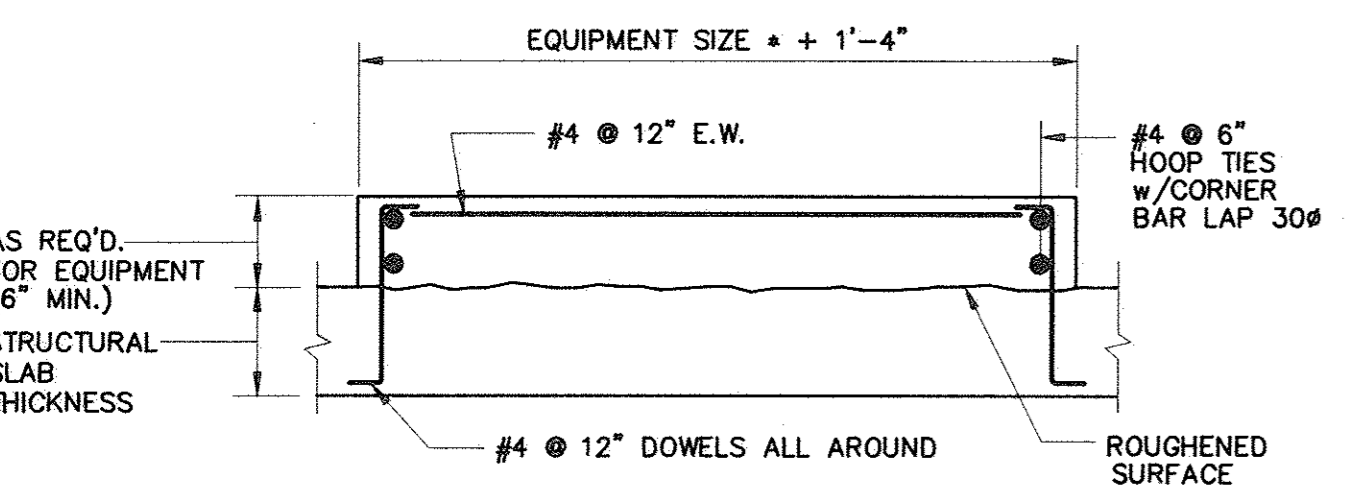


**SECTION 11**  
SCALE: 1" = 1'-0"

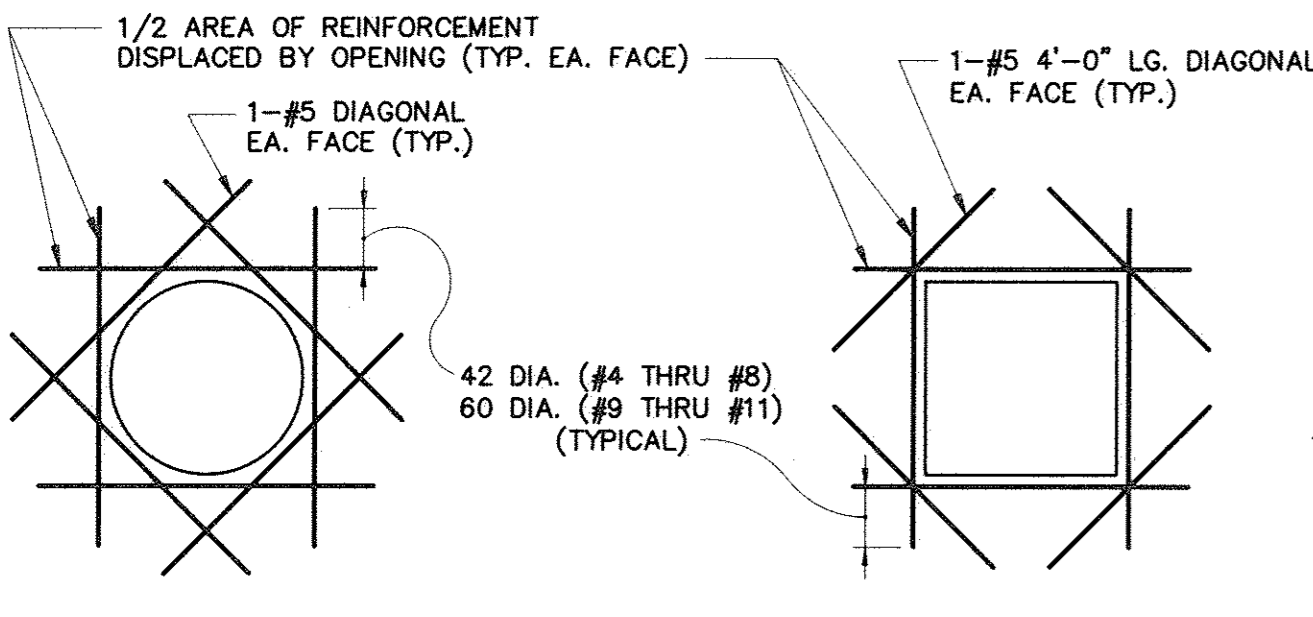
SUPPORT PIPE SIZE (INCHES)	ANCHOR BOLT CIRCLE (INCHES)	MINIMUM PEDESTAL SIZE (INCHES)	MINIMUM VERT. PEDESTAL REINFORCEMENT
2	3.50	12x12	4#6
3	3.88	12x12	4#6
4	4.75	12x12	4#6
6	5.50	16x16	4#8
8	7.50	16x16	4#8
10	7.50	16x16	4#8
12	9.50	18x18	4#9
14	9.50	18x18	4#9
16	9.50	18x18	4#9
18	11.75	18x18	4#9
20	11.75	18x18	4#9
24	11.75	18x18	4#9
30	14.25	22x22	8#7
36	17.00	25x25	8#8
42	21.25	30x30	8#10
48	22.75	30x30	8#10



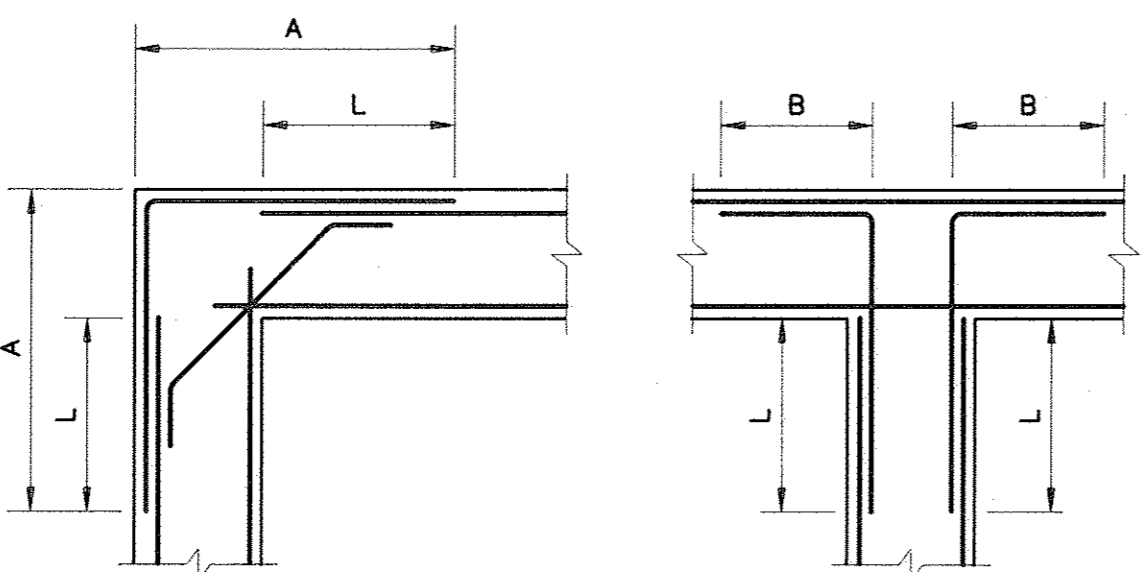
**CONCRETE FILL DETAIL**  
N.T.S.



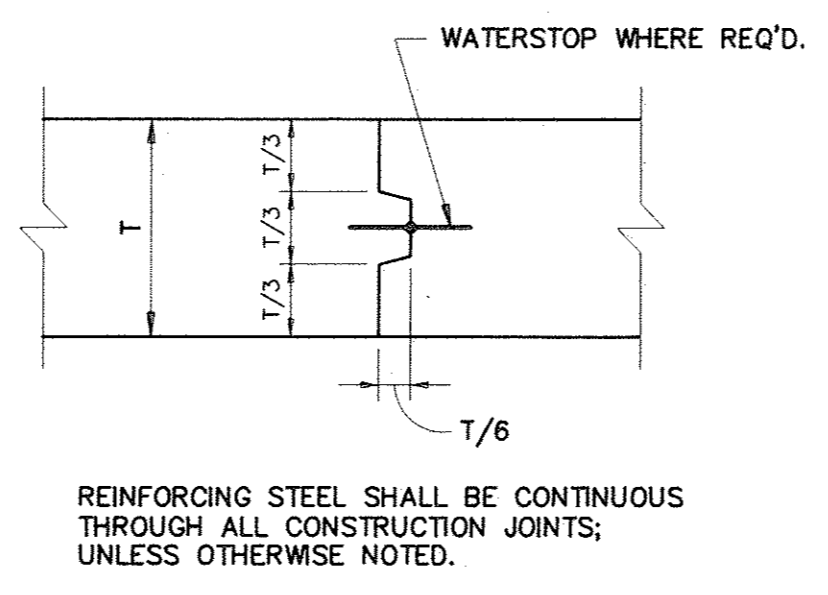
**EQUIPMENT PAD DETAIL**  
N.T.S.



**TYPICAL ADDITIONAL REINFORCEMENT AT OPENING**  
N.T.S.



**CORNER REINFORCING INTERSECTION REINFORCING**  
TYPICAL CONCRETE WALL DETAILS  
N.T.S.



**CONSTRUCTION JOINT DETAIL**  
N.T.S.

- NOTES:  
1. MAX. LOAD = 1 TON.  
2. TO BE LOCATED WHERE SHOWN ON MECH. DWGS.  
3. STEEL SHALL BE A-36  
4. ALL STEEL SHALL BE HOT DIP GALV. IN ACCORDANCE WITH ASTM-A123 FOR PLATES AND ASTM-A153 FOR THREADED ITEMS.

**LIFTING HOOK DETAIL**  
SCALE: 1" = 1'-0"

**HATCH FRAME**  
SCALE: 1" = 1'-0"

**CONCRETE FILL DETAIL**  
N.T.S.

No.	Date	Dr. By	Chk. By	App. By	Description
1	5/95	RWS	VLM	FWY	RECORD DRAWING

DATE: 1/15/92  
REGISTERED PROFESSIONAL ENGINEER

