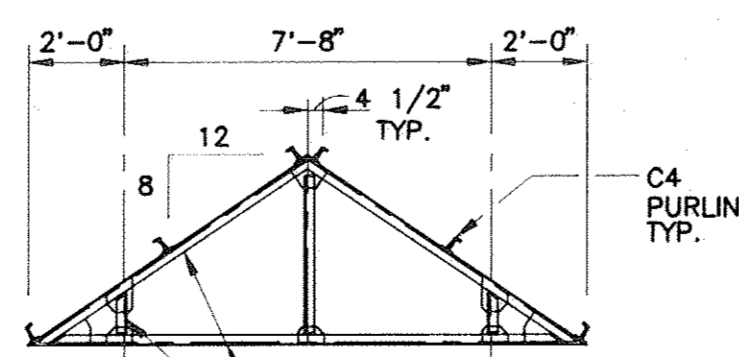
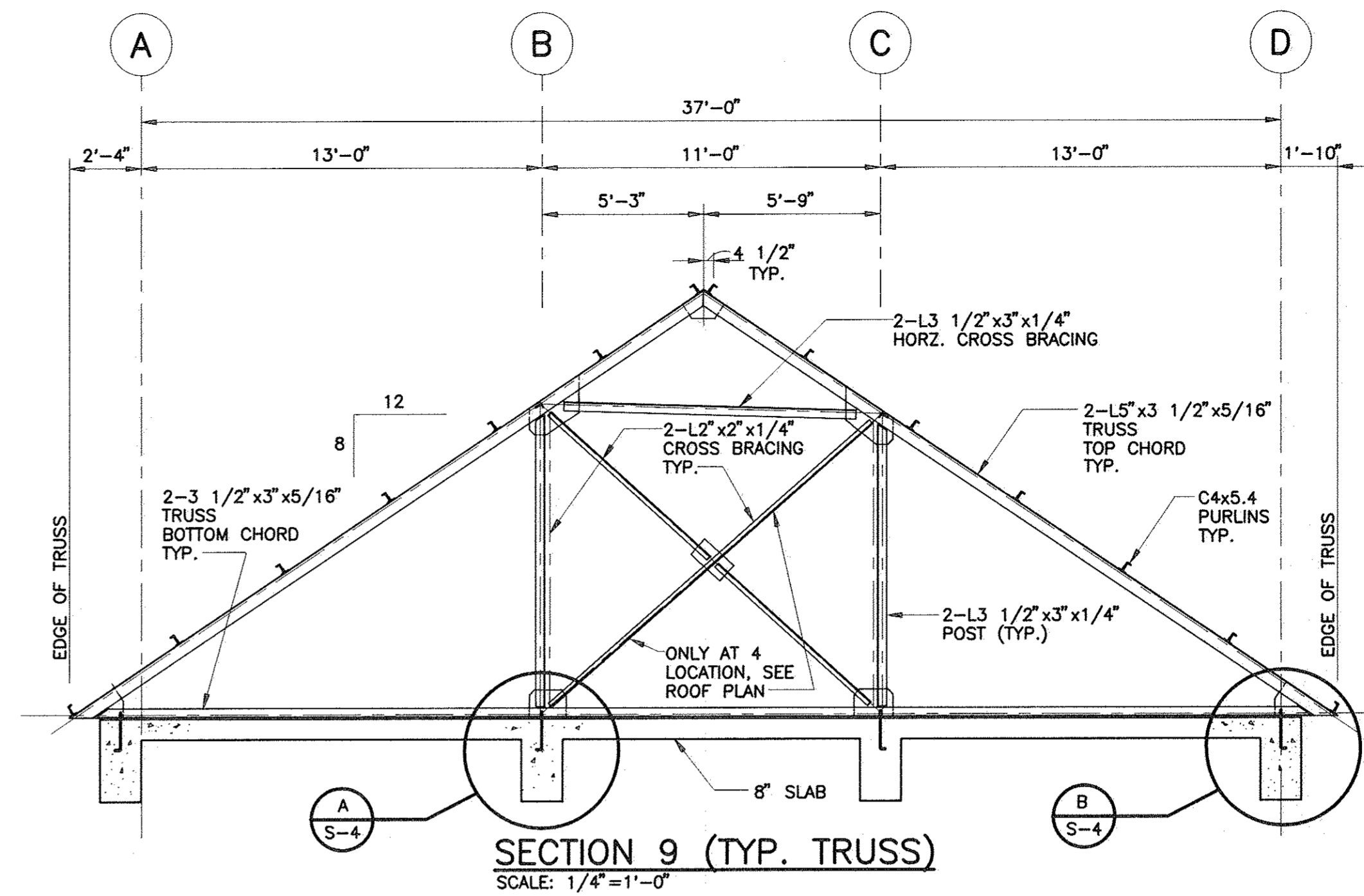


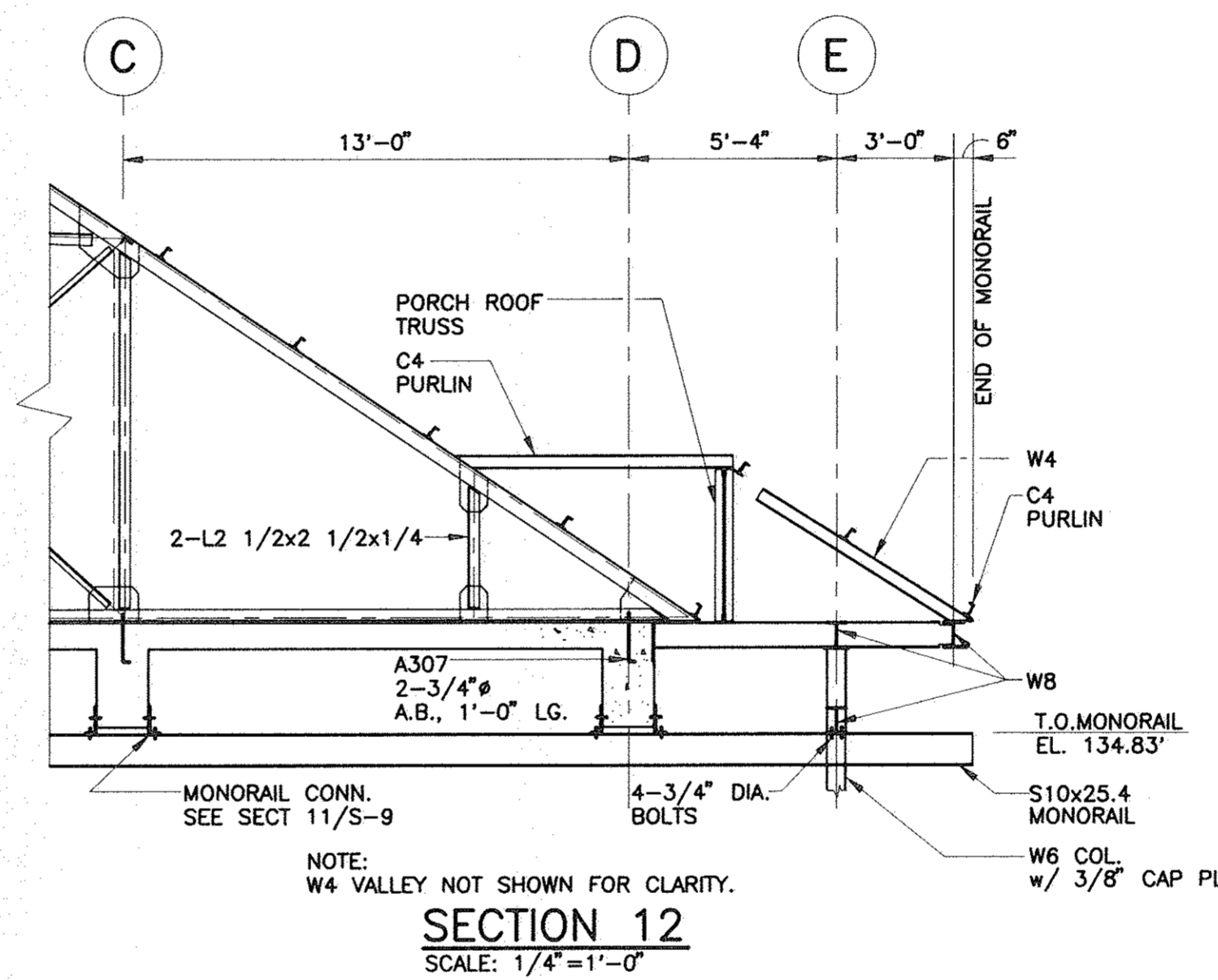
**ROOF PLAN**  
SCALE: 1/4"=1'-0"



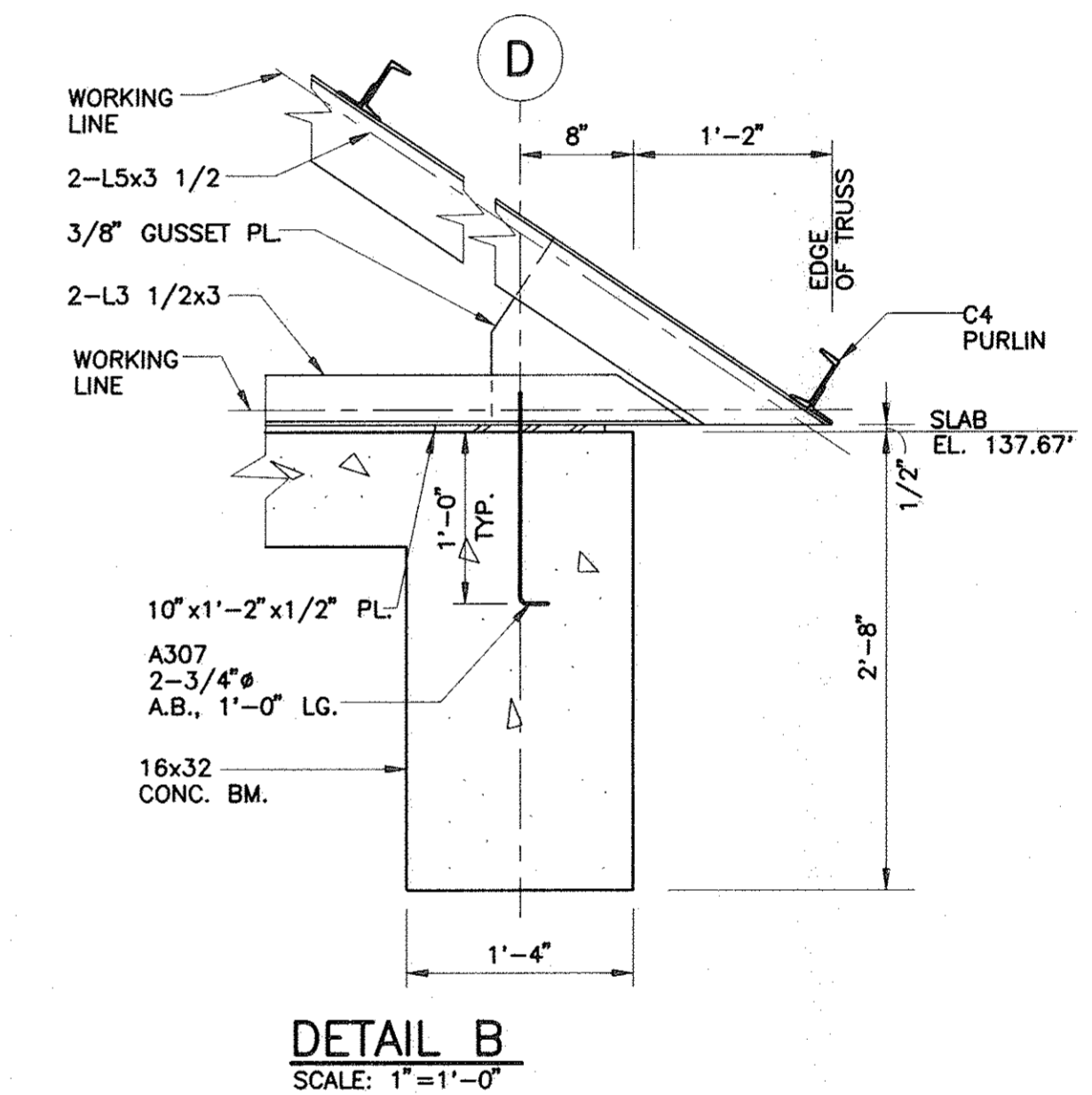
**PORCH ROOF TRUSS**  
SCALE: 1/4"=1'-0"



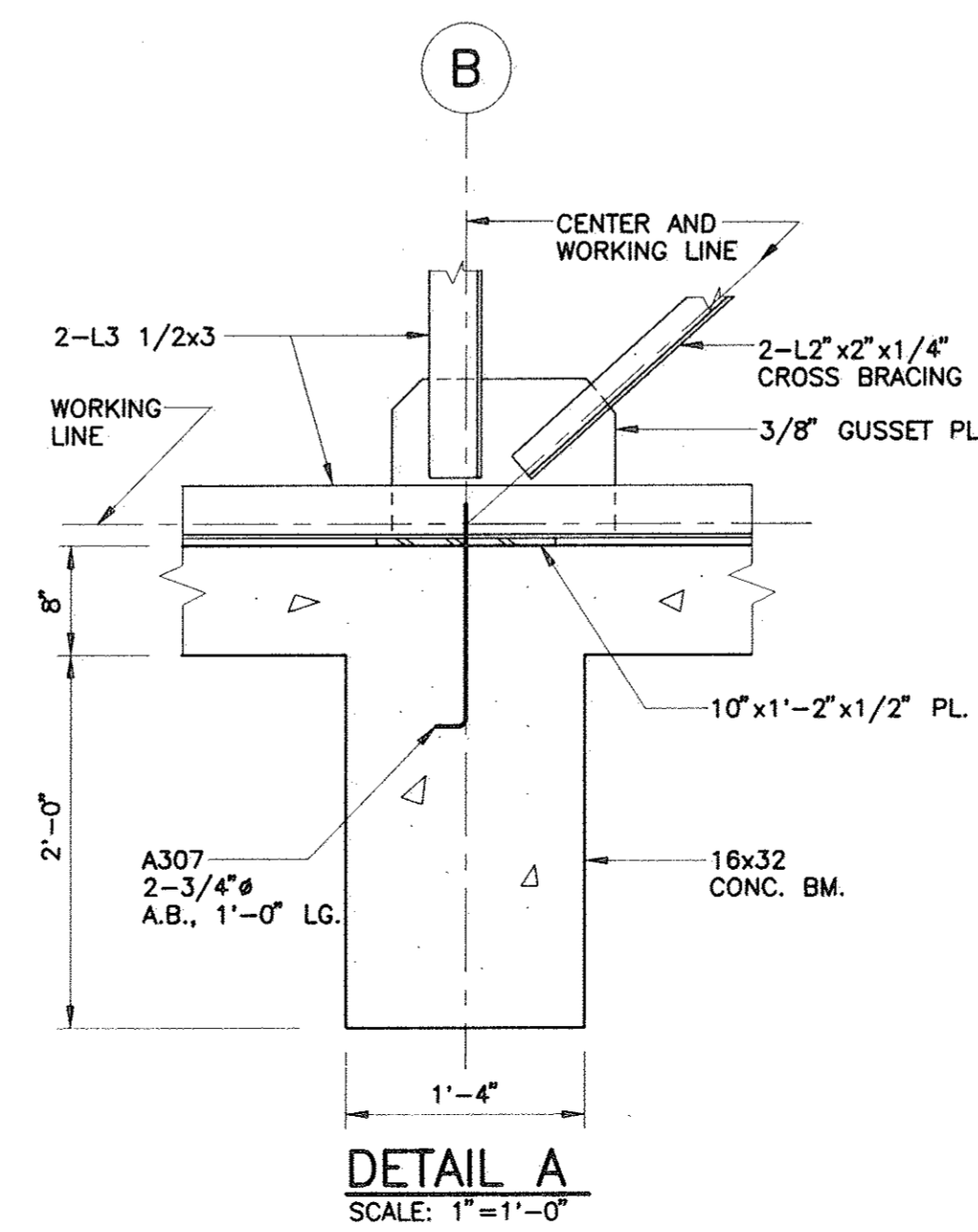
**SECTION 9 (TYP. TRUSS)**  
SCALE: 1/4"=1'-0"



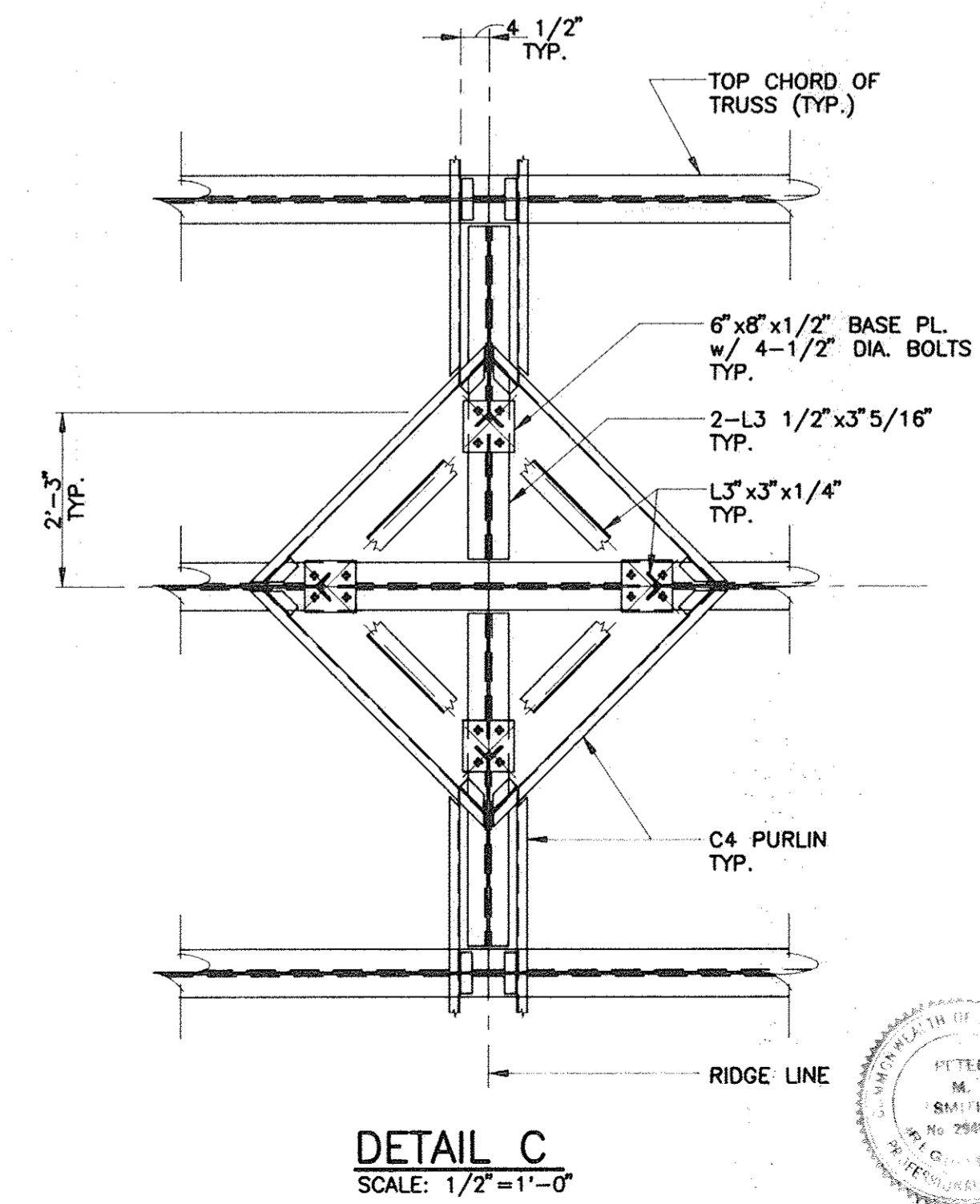
**SECTION 12**  
SCALE: 1/4"=1'-0"



**DETAIL B**  
SCALE: 1"=1'-0"



**DETAIL A**  
SCALE: 1"=1'-0"



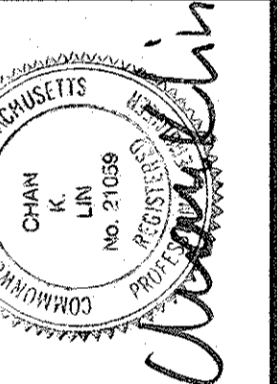
**DETAIL C**  
SCALE: 1/2"=1'-0"

**RECORD DRAWING** LIN ASSOCIATES, INC. 2001 BEACON STREET BOSTON, MA 02146

**Weston & Sampson**  
ENGINEERS, P.C.

Five Centennial Drive, Peabody, MA 01960-7906

No.	Date	Dr. By	Chk. By	App. By	Description
1	5/95	RWS	MLM	FVY	RECORD DRAWING



APP. BY	CK. BY	DR. BY	SCALE	CONTRACT	JOB NO.
RSJ	JRL	VVS	AS NOTED	92-1	9065

TOWN OF LEXINGTON, MASSACHUSETTS  
DEPARTMENT OF PUBLIC WORKS  
NORTH LEXINGTON MAIN PUMPING STATION

**ROOF PLAN & TRUSS DETAILS**  
FILE NO. 69-45