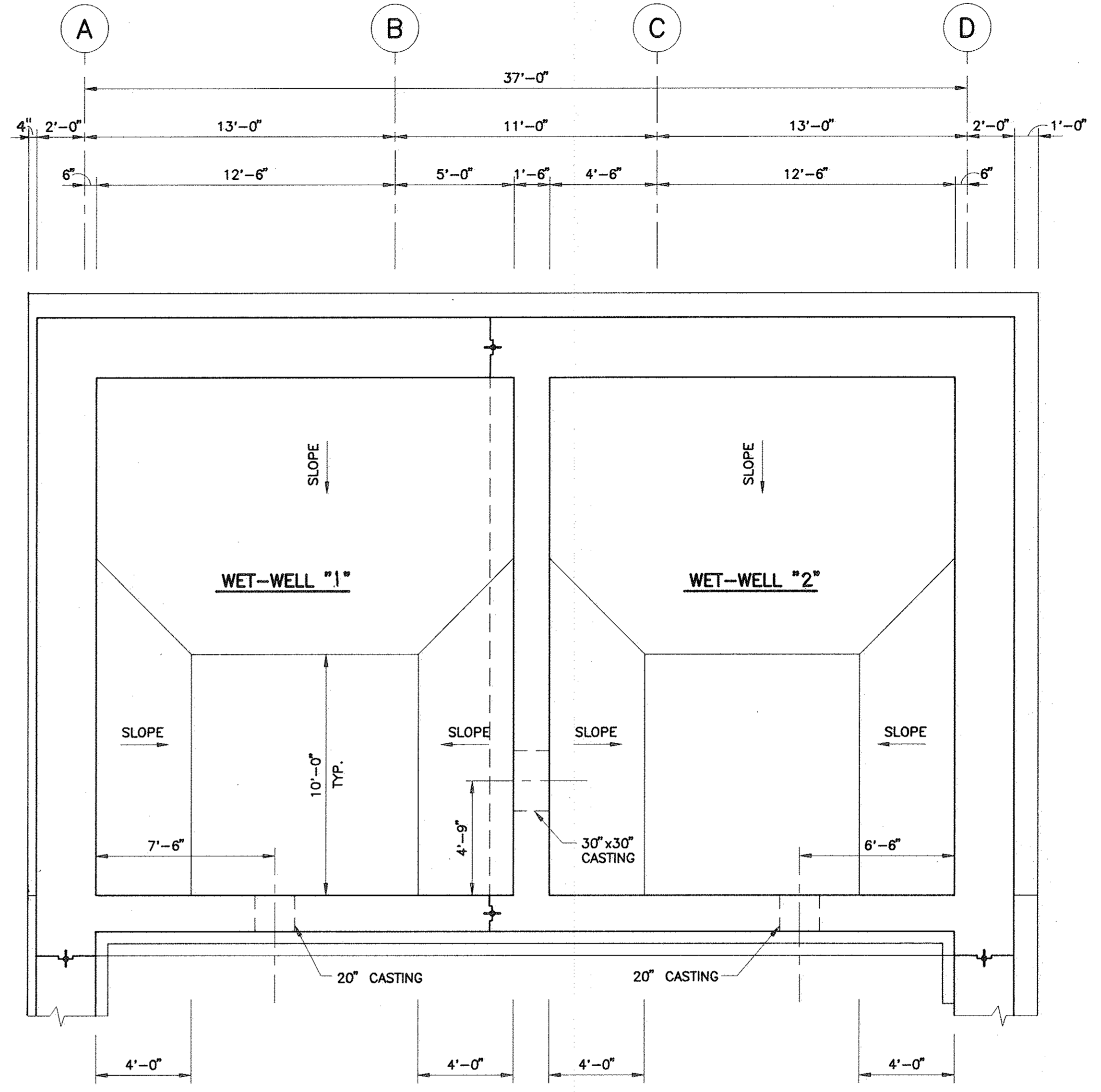


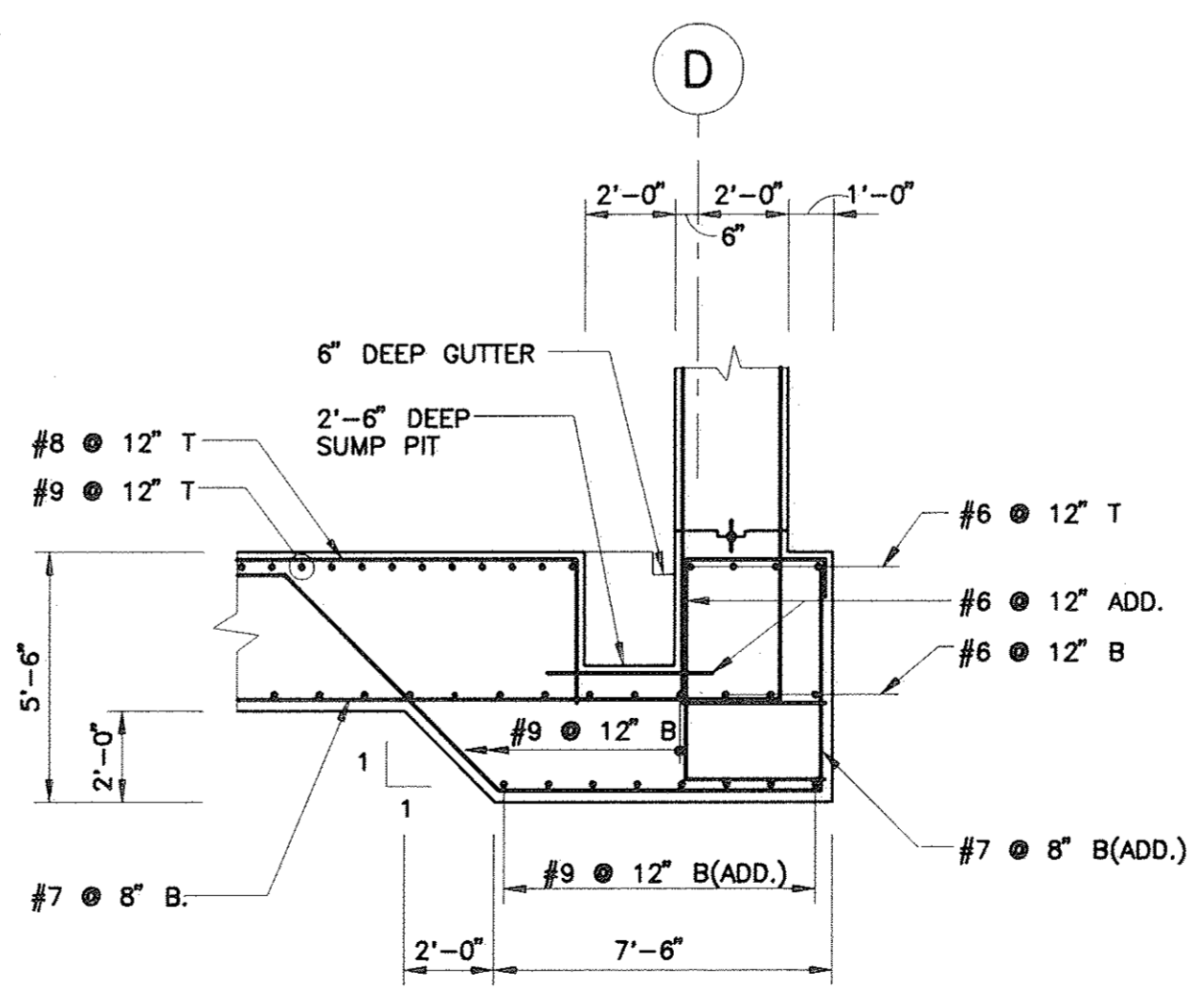
NOTES:
 1. VERTICAL REINFORCEMENT FOR WALLS 1'-6" THICK IS SHOWN ON SECTIONS 8 & 13.
 2. HORIZONTAL REINFORCEMENT FOR THESE WALLS SHOWN ABOVE IS BETWEEN EL. 87.0' AND EL. 110.0'.
 3. ALL REINFORCEMENT FOR WALLS ON GRID LINE 2 ABOVE EL. 110.0' IS #5 @ 12" E.W.E.F.

MAT FOUNDATION PLAN EL. 86.5' & 87.0'
 SCALE: 1/4" = 1'-0"

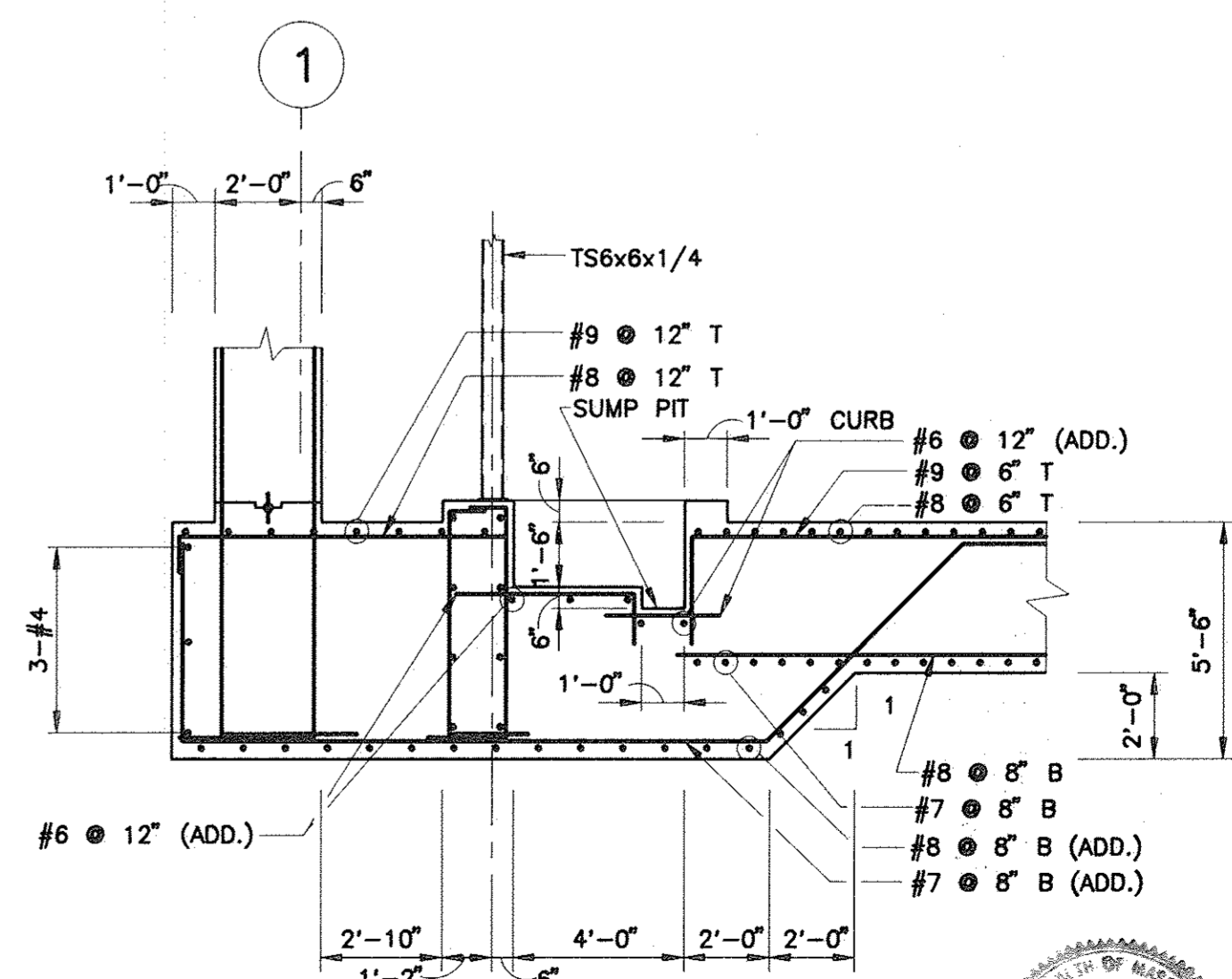


NOTE:
 SEE MECH. DWG. FOR SLOPING OF CONCRETE FILL.

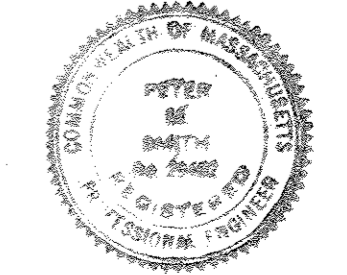
CONCRETE FILL PLAN
 SCALE: 1/4" = 1'-0"



SECTION 8
 SCALE: 1/4" = 1'-0"



SECTION 13
 SCALE: 1/4" = 1'-0"

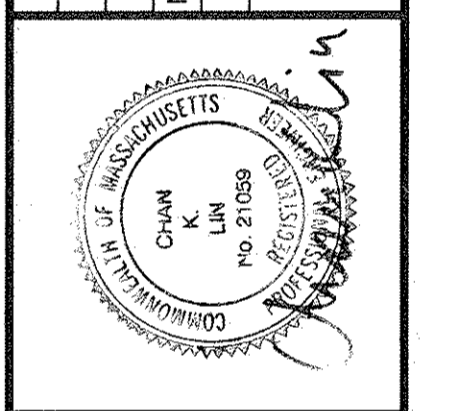


RECORD DRAWING

LIN ASSOCIATES, INC.
 2001 SEACON STREET
 BOSTON, MA 02146

Weston & Sampson
 ENGINEERS, INC.
 Five Centennial Drive, Peabody, MA 01960-7906

| | | | | | |
|-----|------|--------|--------|---------|----------------|
| 1 | 5/15 | RWS | MLM | FWY | RECORD DRAWING |
| No. | Date | Dr. By | Ch. By | App. By | Description |
| | | A | P | R | O |
| | | V | E | D | |
| | | | | | DATE |
| | | | | | 1/17/82 |



TOWN OF LEXINGTON, MASSACHUSETTS
 DEPARTMENT OF PUBLIC WORKS
 NORTH LEXINGTON MAIN PUMPING STATION
MAT FOUNDATION PLAN & SECTIONS
 SCALE: AS NOTED
 CONTRACT: 92-1
 JOB NO: 9065
 DR BY: VVS
 CK BY: JRL
 APP BY: RSL

FILE NO: 69-48
 SHEET 17 OF 42