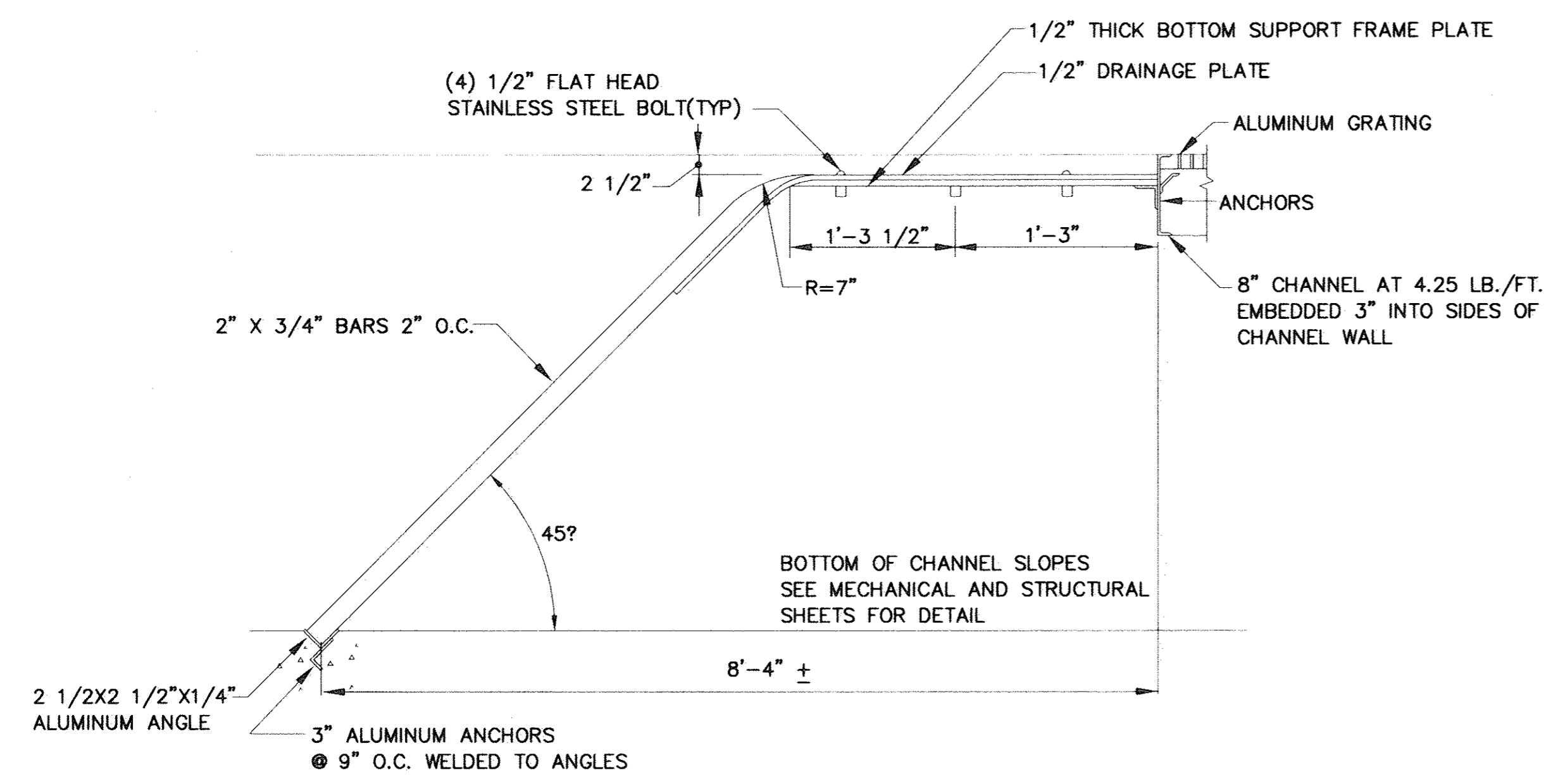
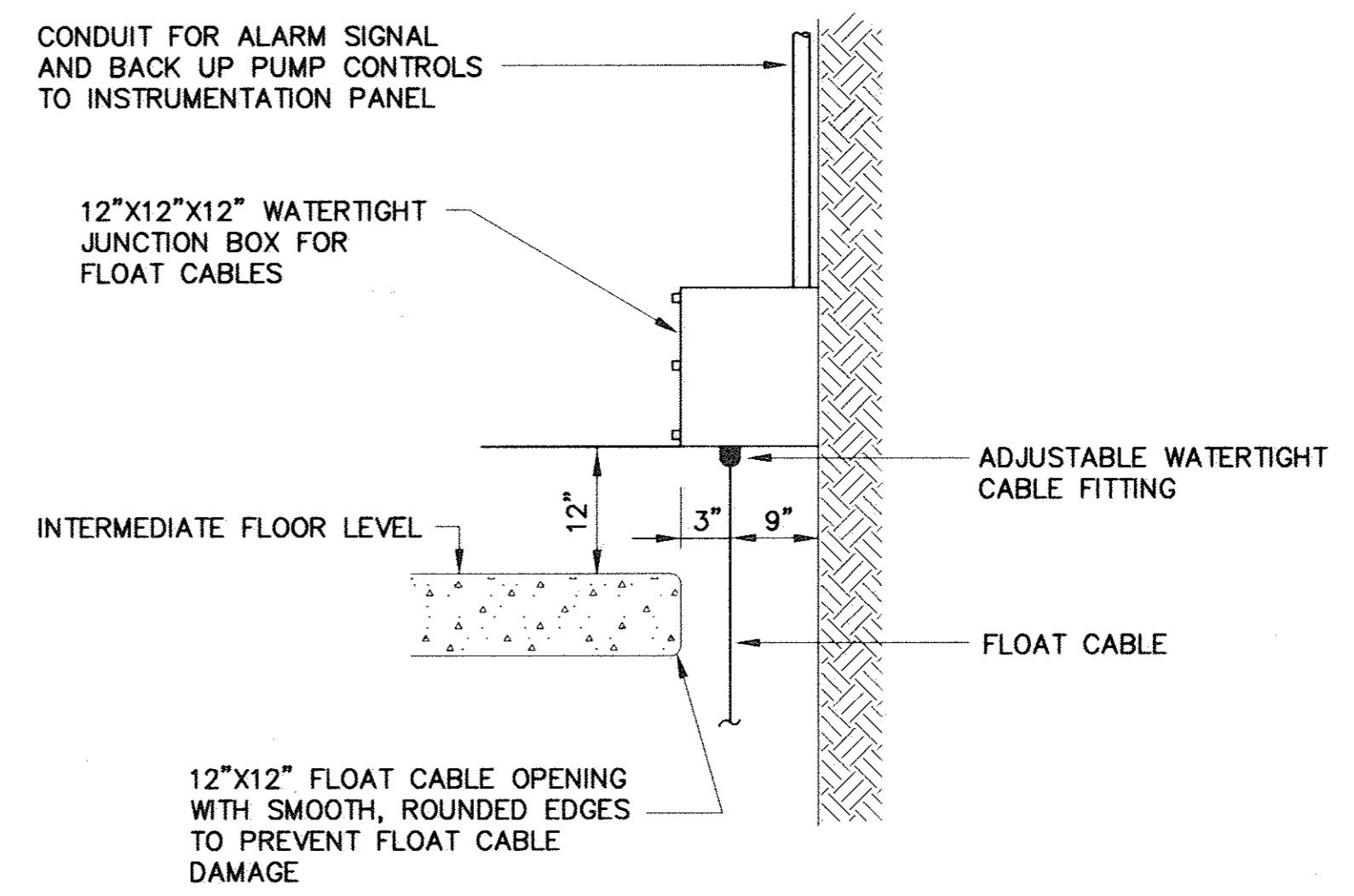


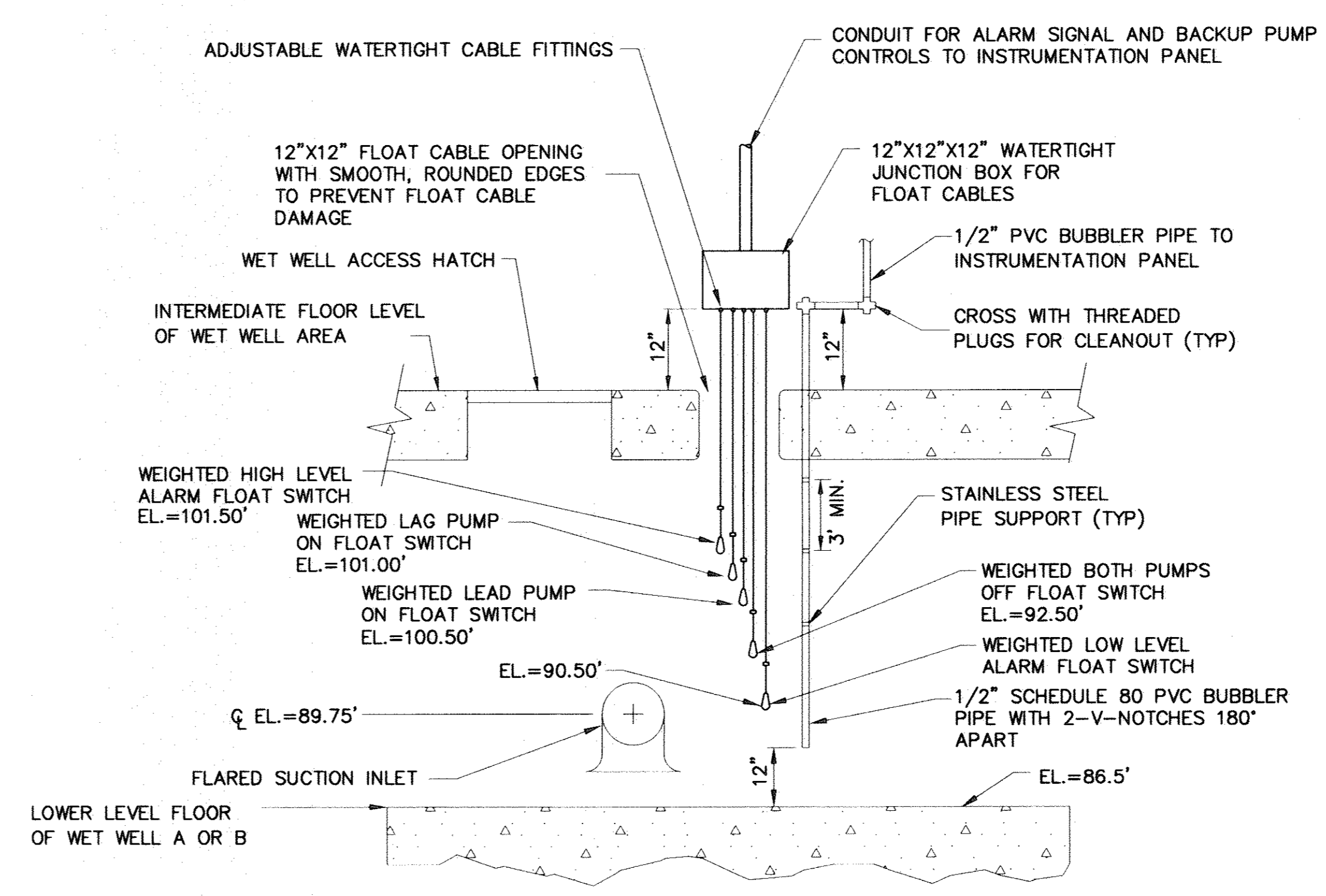
**DRAINAGE PLATE PLAN**  
N.T.S.



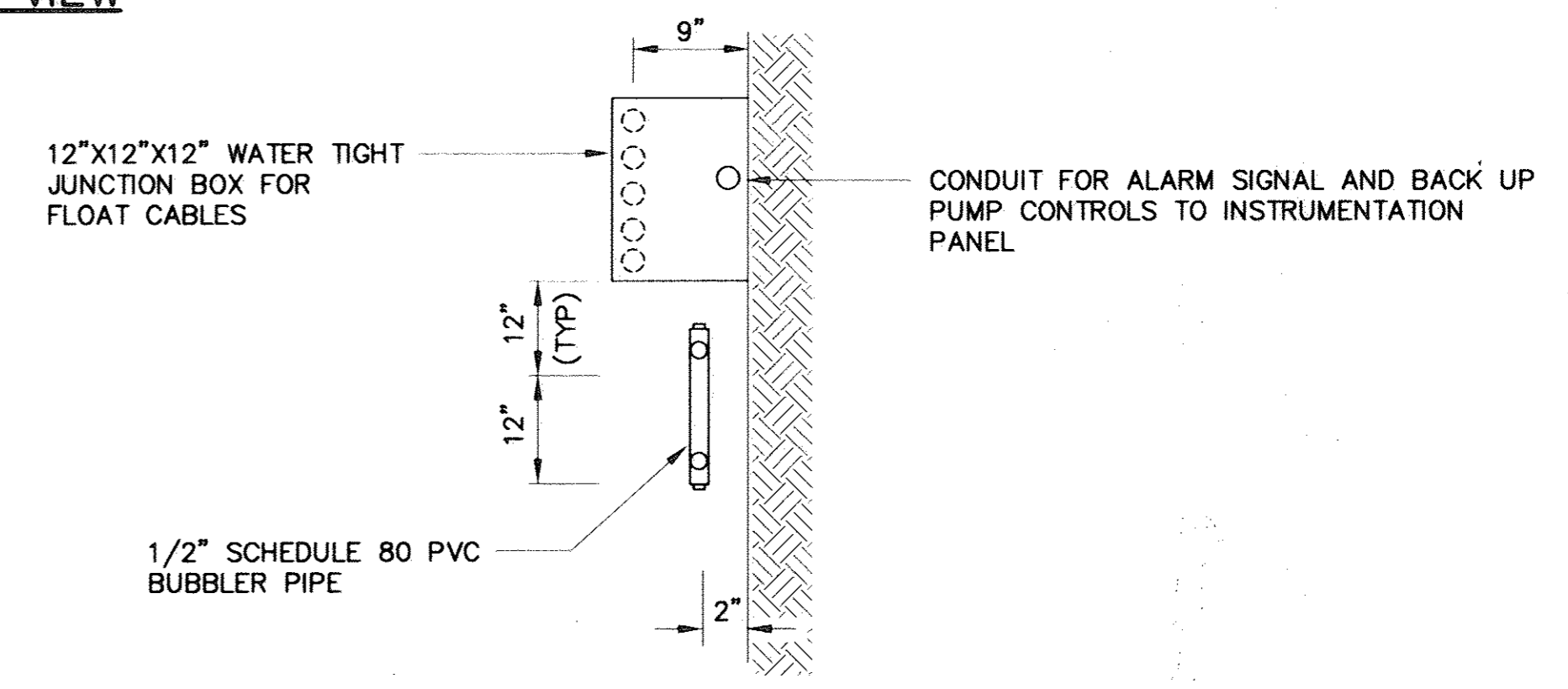
**BAR RACK AND DRAINAGE PLATE SECTION**  
N.T.S.



**SIDE VIEW**  
N.T.S.



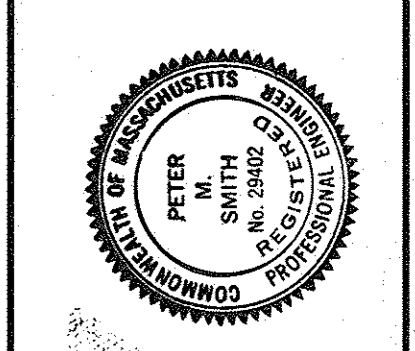
**SECTIONAL VIEW**  
N.T.S.



**PLAN VIEW**  
N.T.S.

**WET WELL LEVEL CONTROLS**

2	5/95	M.R.K. M.L.M.	F.W.Y.	REVISED FOR RECORD DRAWING			
1	7/91	S.G.I. M.L.M.	P.M.S.	GENERAL REVISIONS			
		NO.	DATE	DR BY	CK BY	APP BY	DESCRIPTION
							A P P R O V E D
							Peter Smith REGISTERED PROFESSIONAL ENGINEER
							DATE: 1/15/92



TOWN OF LEXINGTON, MASSACHUSETTS  
DEPARTMENT OF PUBLIC WORKS  
NORTH LEXINGTON MAIN PUMPING STATION

**MECHANICAL DETAILS**

FILE NO.	69-35
CADD NO.	RMDT-2
SCALE	NOTED
CONTRACT	92-1
JOB NO.	9065
DR BY	J.A.S.
CK BY	M.L.M.
APP BY	P.M.S.

