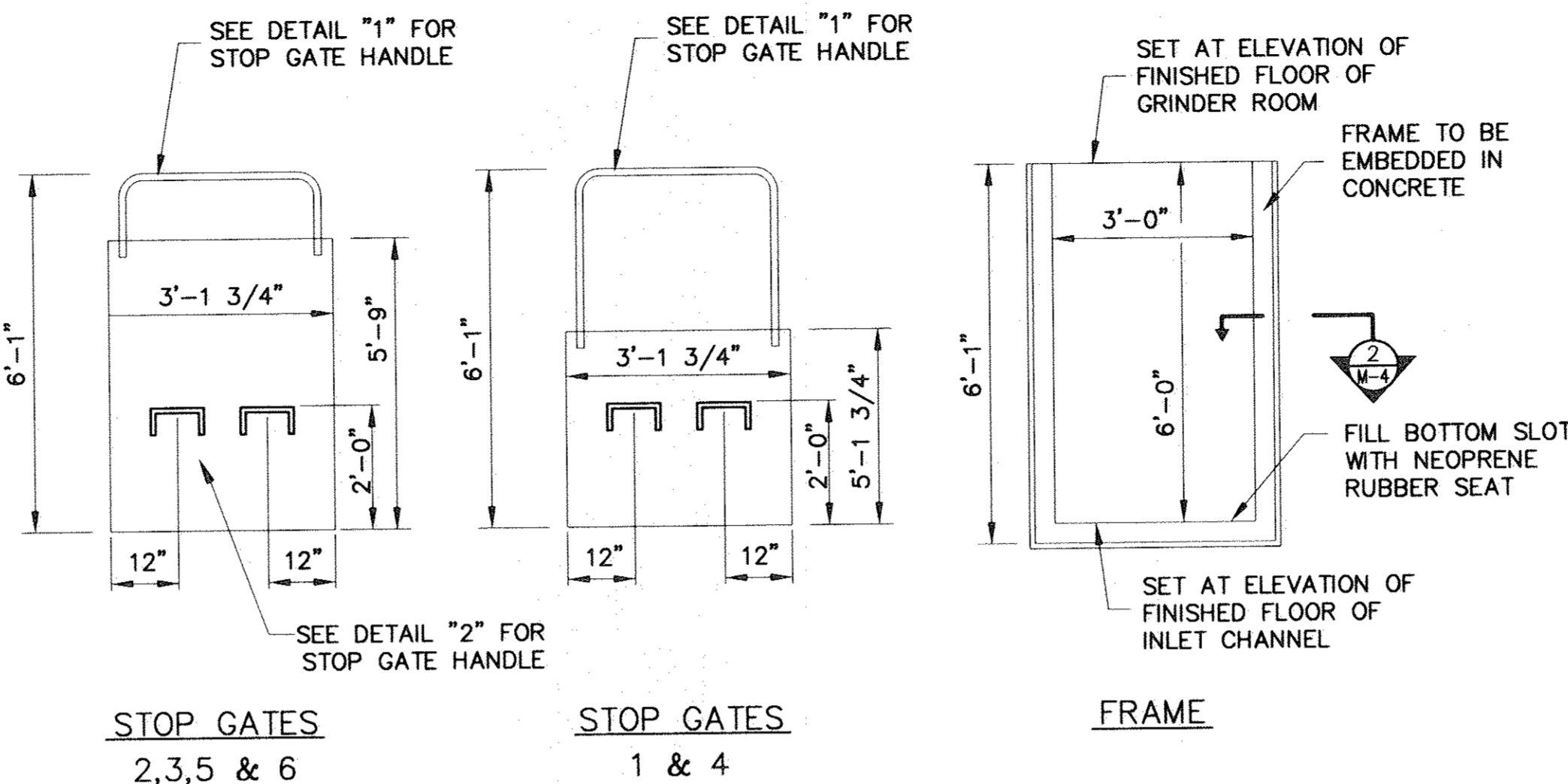


NOTE: ALL PIPE PENETRATIONS BETWEEN THE DRY AND WET WELLS SHALL BE CAULKED GAS TIGHT

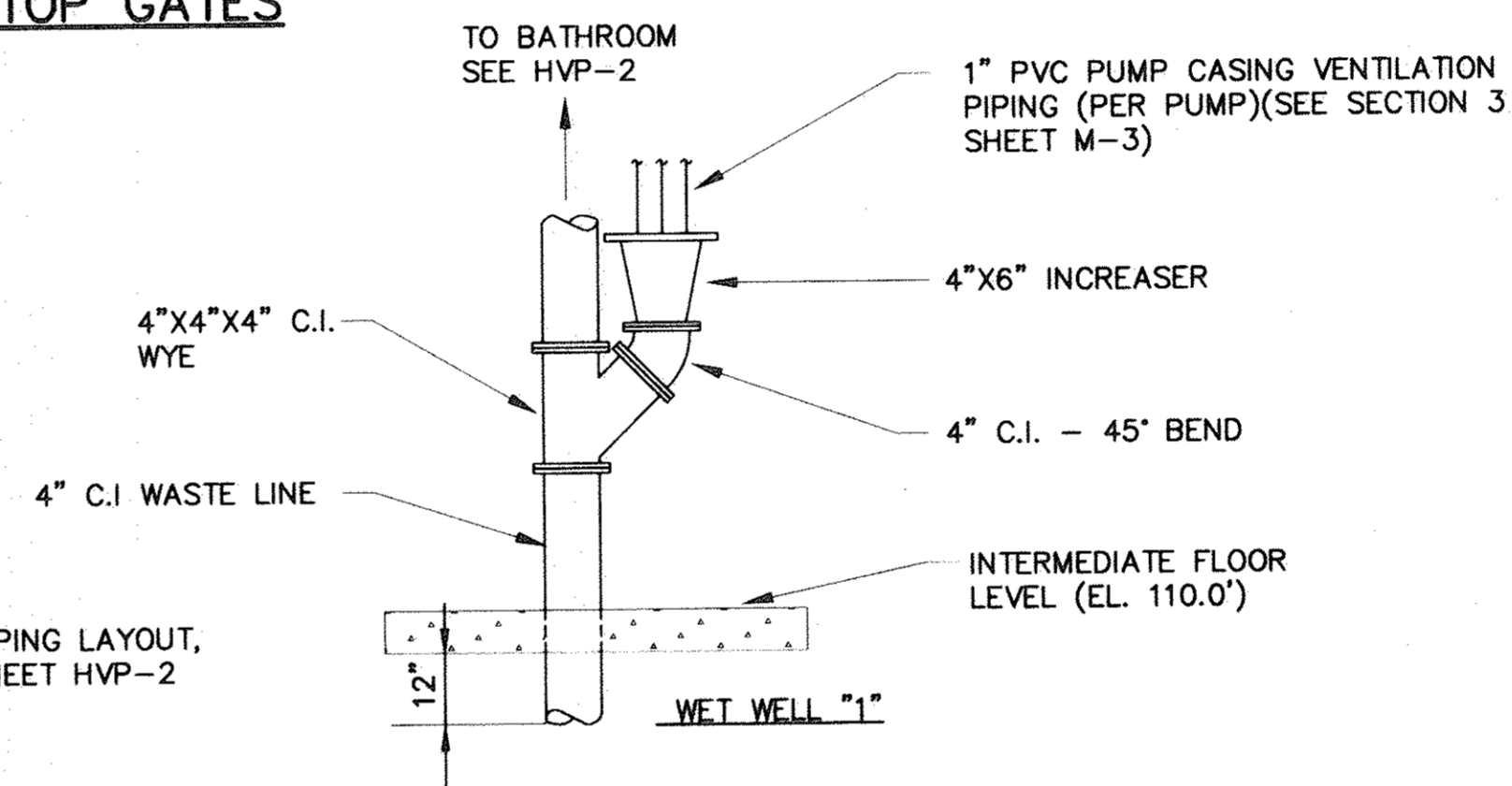
**TYPICAL WASTEWATER PUMP PIPING CONNECTIONS**

N.T.S.



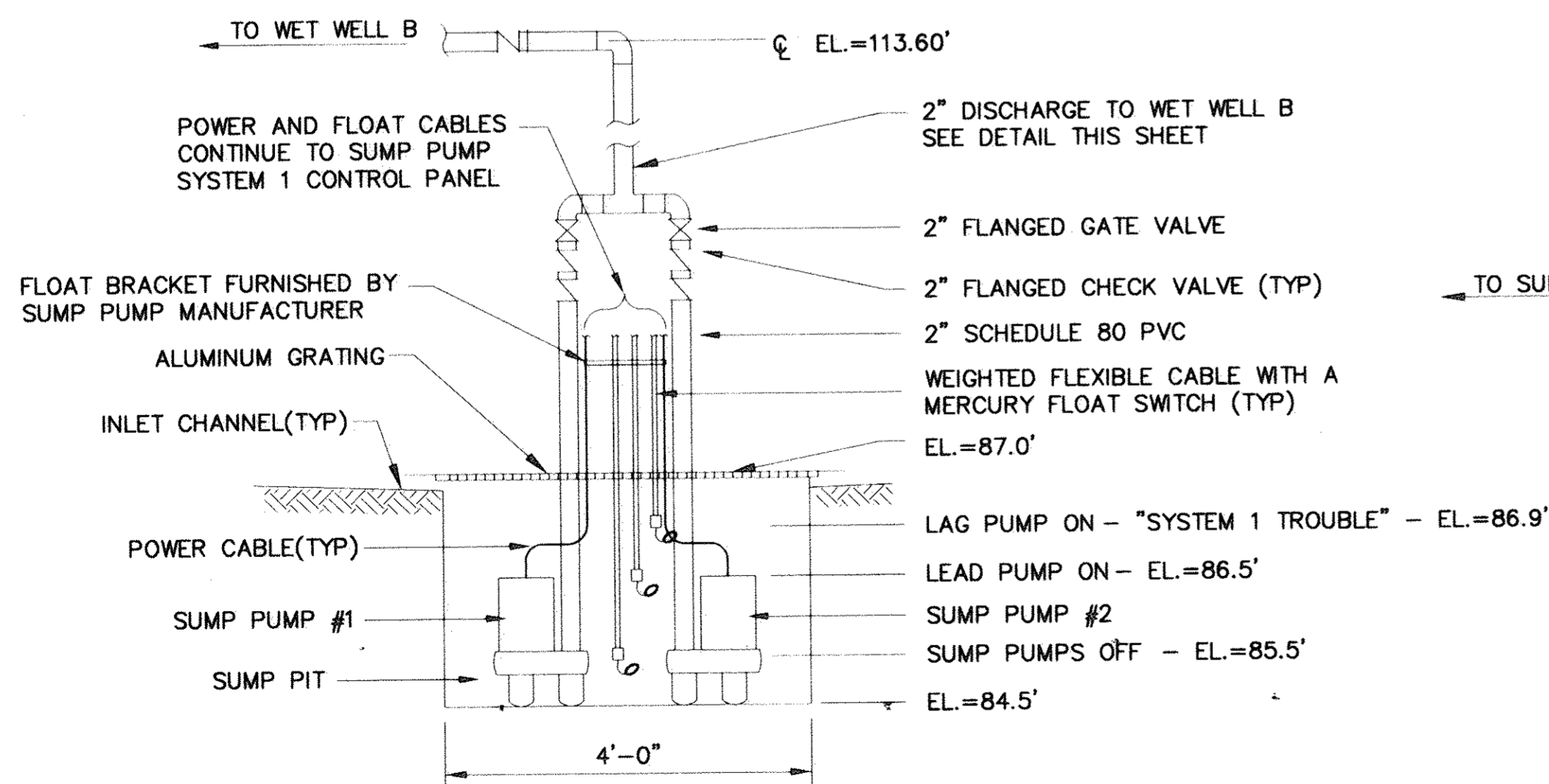
**ALUMINUM STOP GATES**

N.T.S.



**DETAIL 3**

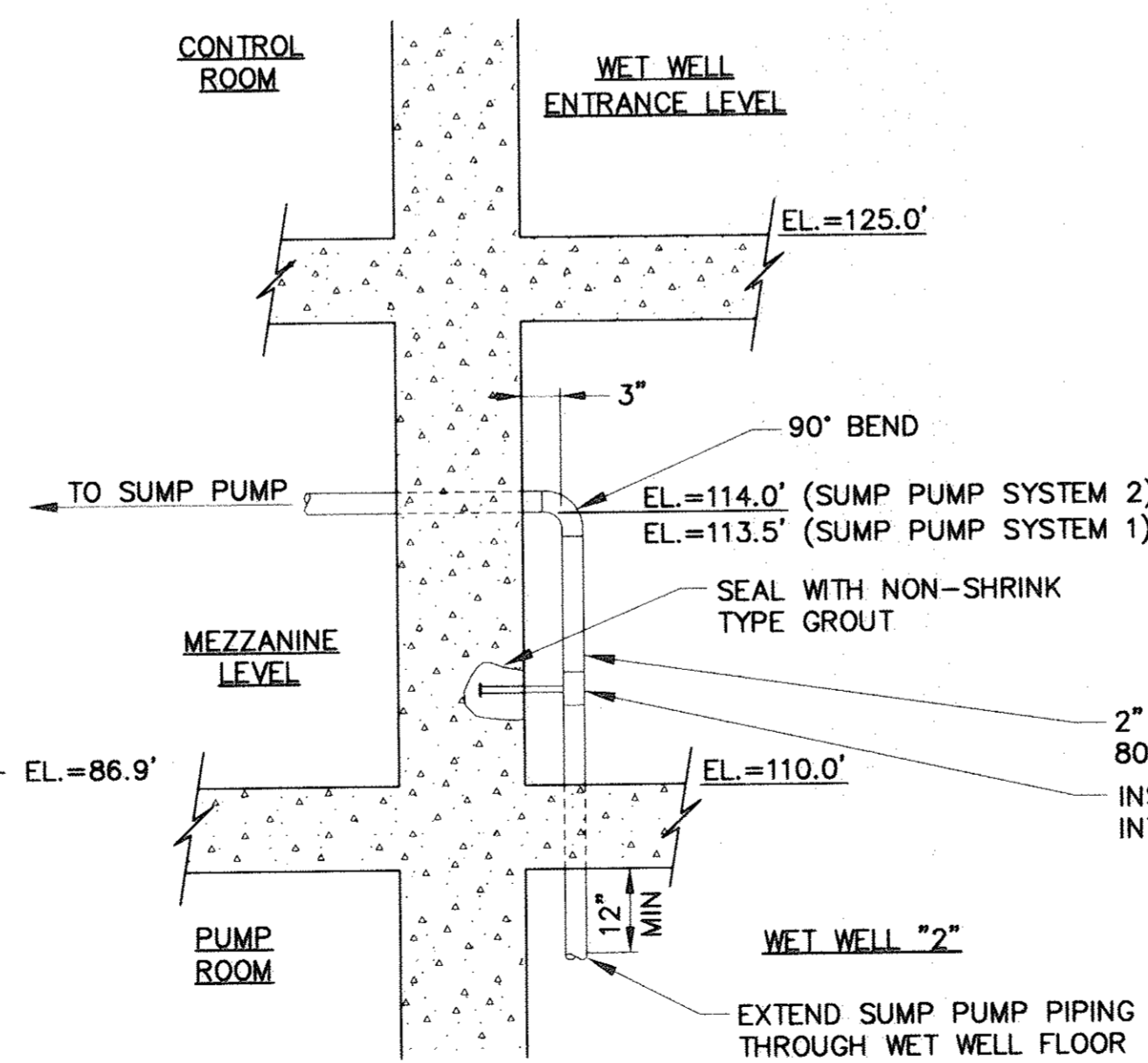
(PUMP CASING VENTILATION DRAIN PIPING)  
N.T.S.



NOTE: ALL PIPING SHALL BE SCHEDULE 80 PVC VALVES SHALL BE COMPATIBLE WITH SCHEDULE 80 PVC

**SUMP PUMP SYSTEM 1 DETAIL**

N.T.S.

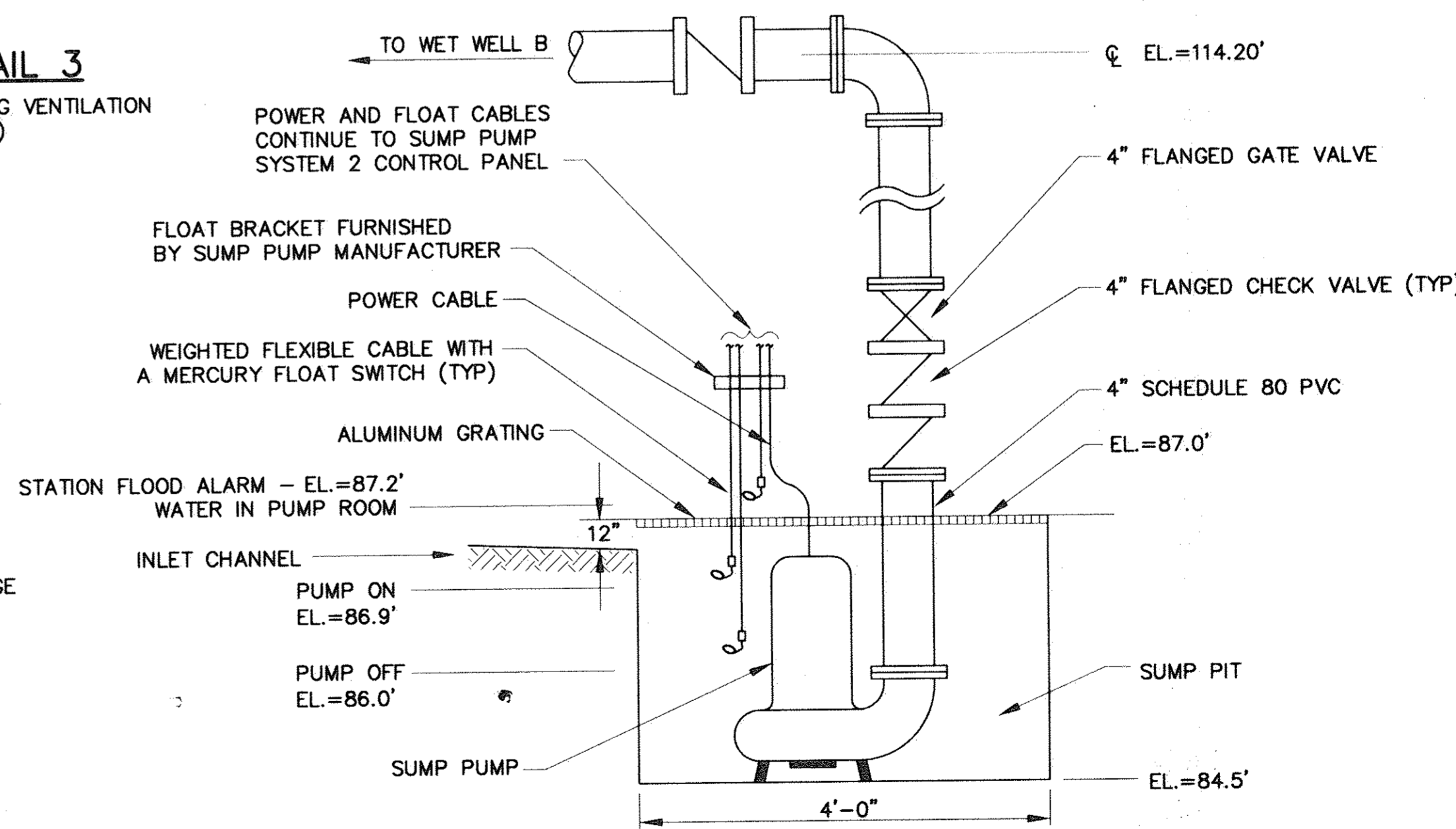


NOTE: ALL PIPING PENETRATIONS BETWEEN THE DRY AND WET WELLS SHALL BE CAULKED GAS TIGHT

**SUMP PUMP DRAIN PIPING**

N.T.S.

NOTE:  
1. ALL WALL PENETRATIONS REQUIRED FOR PVC PIPE SHALL BE SLEEVED.



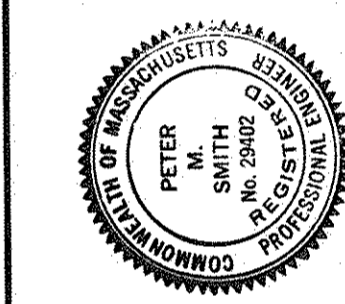
NOTE: ALL PIPING SHALL BE SCHEDULE 80 PVC, ALL PVC FLANGES SHALL BE CLASS 150

**SUMP PUMP SYSTEM 2 DETAIL**

N.T.S.

NO.	DATE	DR BY	CK BY	APP BY	DESCRIPTION
2	5/95	M.R.K.	M.L.M.	F.W.Y.	REVISED FOR RECORD DRAWING
1	7/91	S.G.I.	M.L.M.	P.M.S.	GENERAL REVISIONS

REGISTERED PROFESSIONAL ENGINEER  
*Peter M. Smith*  
DATE: 1/15/92



TOWN OF LEXINGTON, MASSACHUSETTS  
DEPARTMENT OF PUBLIC WORKS  
NORTH LEXINGTON MAIN PUMPING STATION  
**MECHANICAL DETAILS**

**M-4**  
FILE NO.