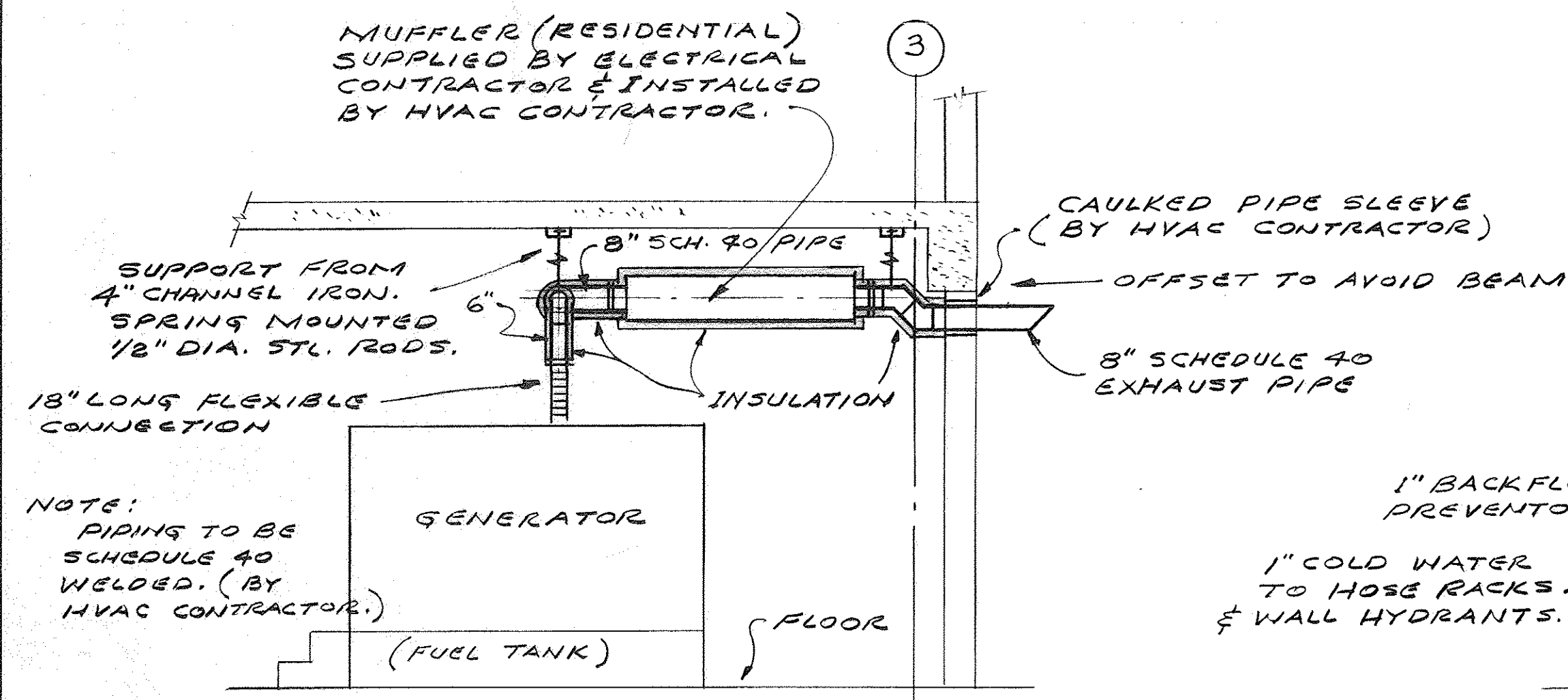
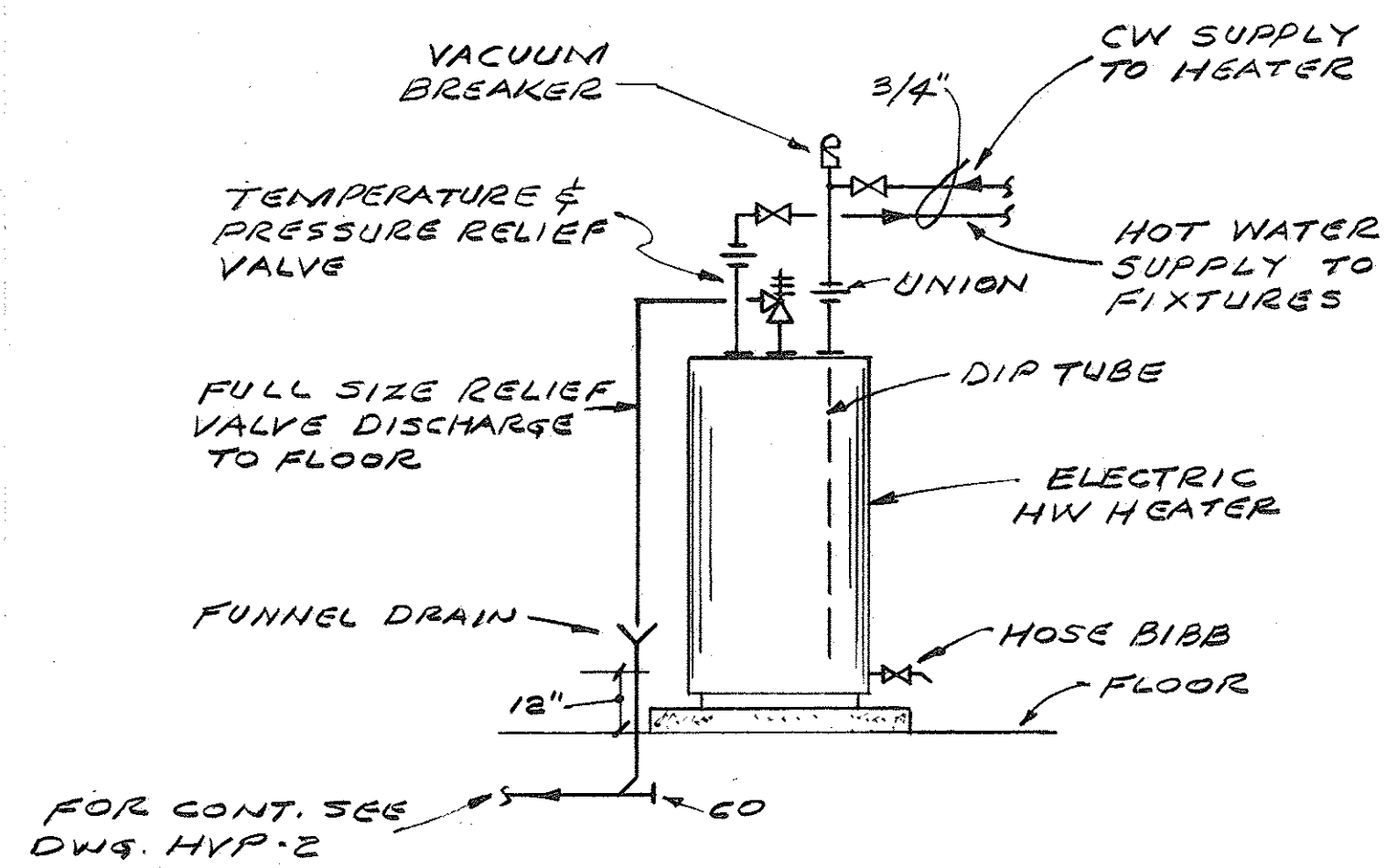


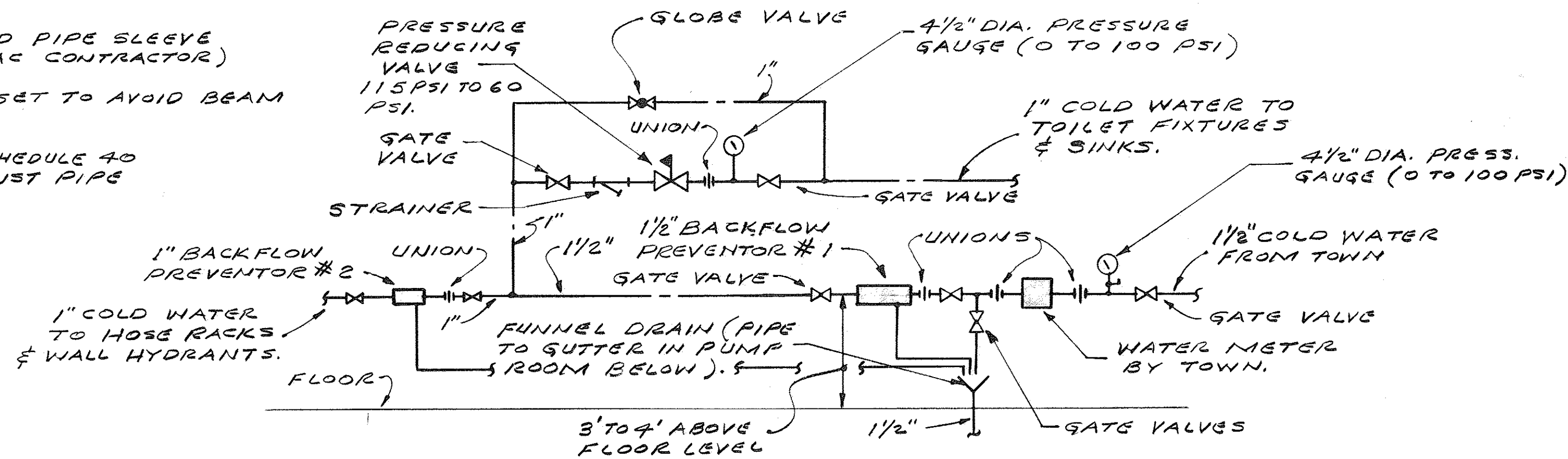
DETAIL - BACKFLOW PREVENTER
NOT TO SCALE



DETAIL - GENERATOR MUFFLER PIPING



WATER HEATER PIPING DETAIL
NO SCALE



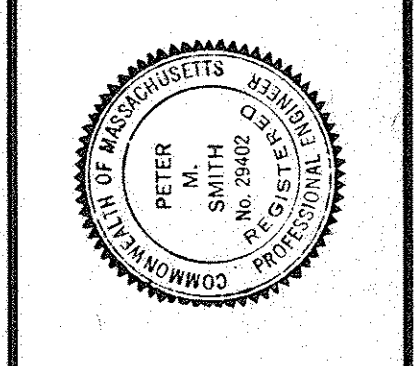
WATER METER & BACKFLOW PREVENTER PIPING DETAIL
NO SCALE

- GENERAL NOTES**
1. THE DRAWINGS ARE SHOWN DIAGRAMMATICALLY ONLY, IT IS NOT THE INTENTION HERE TO SHOW EVERY AVOIDANCE NECESSARY. EXACT LOCATION TO BE DETERMINED IN THE FIELD.
 2. DRAIN ALL LOW POINTS OF THE WATER PIPING SYSTEM TO INSURE COMPLETE DRAINAGE.
 3. ALL PIECES OF EQUIPMENT & FIXTURES SHALL BE VALVED FOR ISOLATION PURPOSES.
 4. STANDARDS TO BE ADHERED TO IN THE INSTALLATION OF THIS SYSTEM:
 - A. ASHRAE STANDARDS
 - B. MASSACHUSETTS STATE CODE
 - C. UL STANDARDS
 - D. ASME
 5. INSTALLATION OF PLUMBING & HVAC WORK SHALL BE IN ACCORDANCE WITH LOCAL AND STATE CODES.
 6. THE CONTRACTOR SHALL OBTAIN AND PAY FOR ALL FEES, PERMITS AND CHARGES IN CONNECTION WITH THE WORK.
 7. THE PLUMBING & HVAC CONTRACTOR SHALL COORDINATE THEIR WORK WITH ALL ASSOCIATED PROJECT CONTRACTORS.
 8. FOR ADDITIONAL INFORMATION, REFER TO THE SPECIFICATIONS.

LEGEND

EA	EXHAUST AIR
CFM	CUBIC FEET PER MINUTE
SP	STATIC PRESSURE
A/C	AIR CONDITIONING
GP	GALLONS PER HOUR
T	HEATING & COOLING THERMOSTAT
Ø	ROUND DUCTWORK
KW	KILOWATT
MBH	THOUSAND BTU ^s
PSI	POUNDS PER SQUARE INCH
FAI	FRESH AIR INTAKE
[Symbol]	STRAINERS
[Symbol]	BALANCING VALVES
[Symbol]	ISOLATING VALVES
[Symbol]	DIRECTION OF FLOW
[Symbol]	MOTOR OPERATED
[Symbol]	FIRE DAMPER
HP	HORSE POWER
[Symbol]	EXHAUST AIR
[Symbol]	SUPPLY OR FRESH AIR
EF-1	EXHAUST FAN NO. 1
PVC	POLY-VINYL-CHLORIDE
V-1	DAMPER OPERATOR
RPM	REVOLUTIONS PER MINUTE
---	CW COLD WATER
---	HW HOT WATER
- - -	VENT PIPING
- - -	WASTE PIPING
CO	CLEAN OUT
AP	ACCESS PANEL

5/15	Date	5/15/91
1	No.	1
RM/S	Dr. By	
MLM	Ck. By	
FNY	App. By	
RECORD DRAWING	Description	
A	P	R
O	V	E
D		
	DATE	4/30/91



TOWN OF LEXINGTON, MASSACHUSETTS DEPARTMENT OF PUBLIC WORKS NORTH LEXINGTON MAIN PUMPING STATION	CONTRACT 92-1	JOB NO. 9066	DR. BY EPF	CK. BY EPF	APP. BY SHC
--	------------------	-----------------	---------------	---------------	----------------

