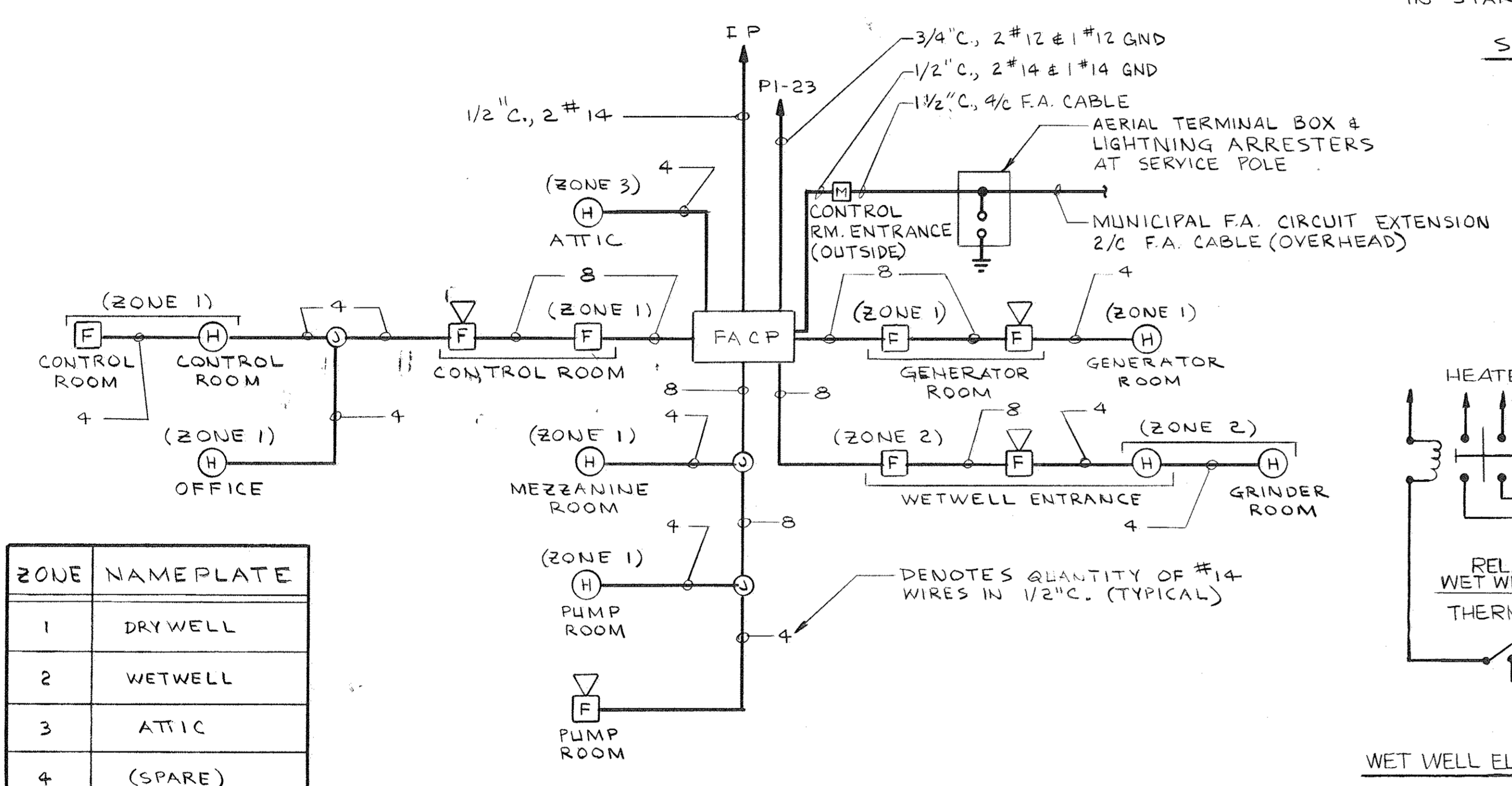
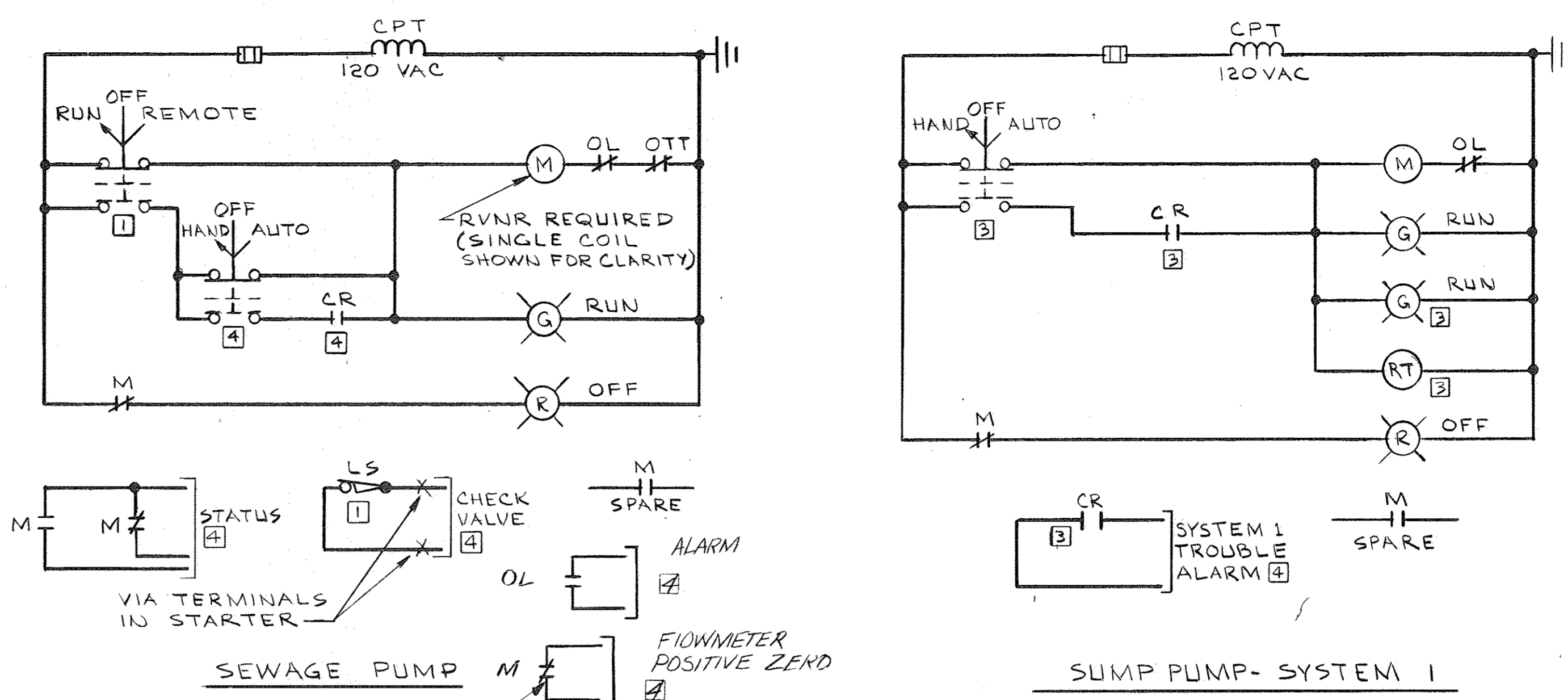
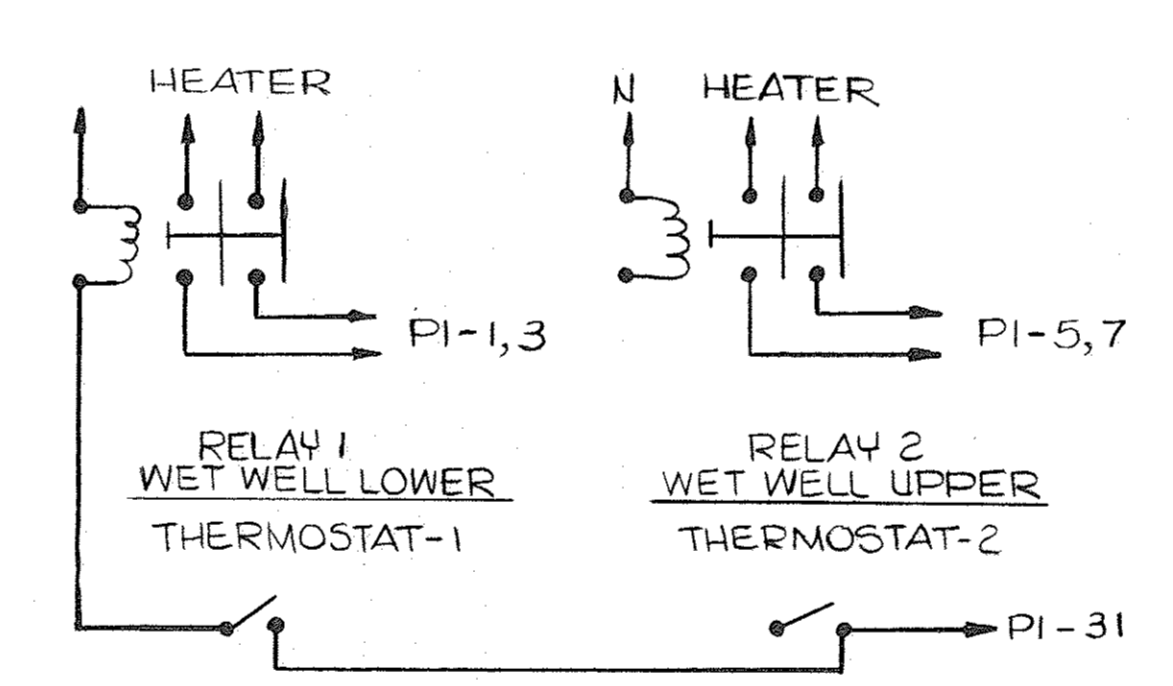


LIGHTING FIXTURE SCHEDULE					
FIXTURE	LAMP		MANUFACTURER & CATALOG NO.	REMARKS	
TYPE	MTG	TYPE	WATTS		
A	PEND	FLUOR	2-40	BENJAMIN FA-2224-4R	
B	PEND	FLUOR	1-40	BENJAMIN FA-2214-4R	
C	WALL	MH	175	LITHONIA TWP175H-120	MTG. ELEV. 135.75
D	WALL	MV	100	LITHONIA TWP100H-120	MTG. ELEV. 133.0
E	PEND	HPS	100	APPLETON CLP1075-MT	W/CMR-4ST DOME
F	PEND	HPS	100	APPLETON CLP1075-MTE	W/QUARTZ & CMR-4ST DOME
G	WALL	HPS	50	APPLETON CLB5075-MT	
H	WALL	HPS	50	APPLETON CLB5075-MTE	W/QUARTZ
J	WALL	HALOGEN	2-12	LITHONIA ELU4N-H1212	7'-6" AFF
K	WALL	HALOGEN	2-8	LITHONIA ELU4XN-H	7'-6" AFF
L	WALL	HALOGEN	12	EMERGI-LITE 12-EFEPW-HG	9'-0" AFF
M	WALL			LITHONIA ELU4N-RO	W/O HEADS, 7'-6" AFF
N	CEIL	FLUOR	2-40	BENJAMIN FA-2224-4R	
P	CEIL	FLUOR	1-40	BENJAMIN FA-2214-4R	
R	WALL	INCAN	150	APPLETON VPWB1075	8'-0" AFF

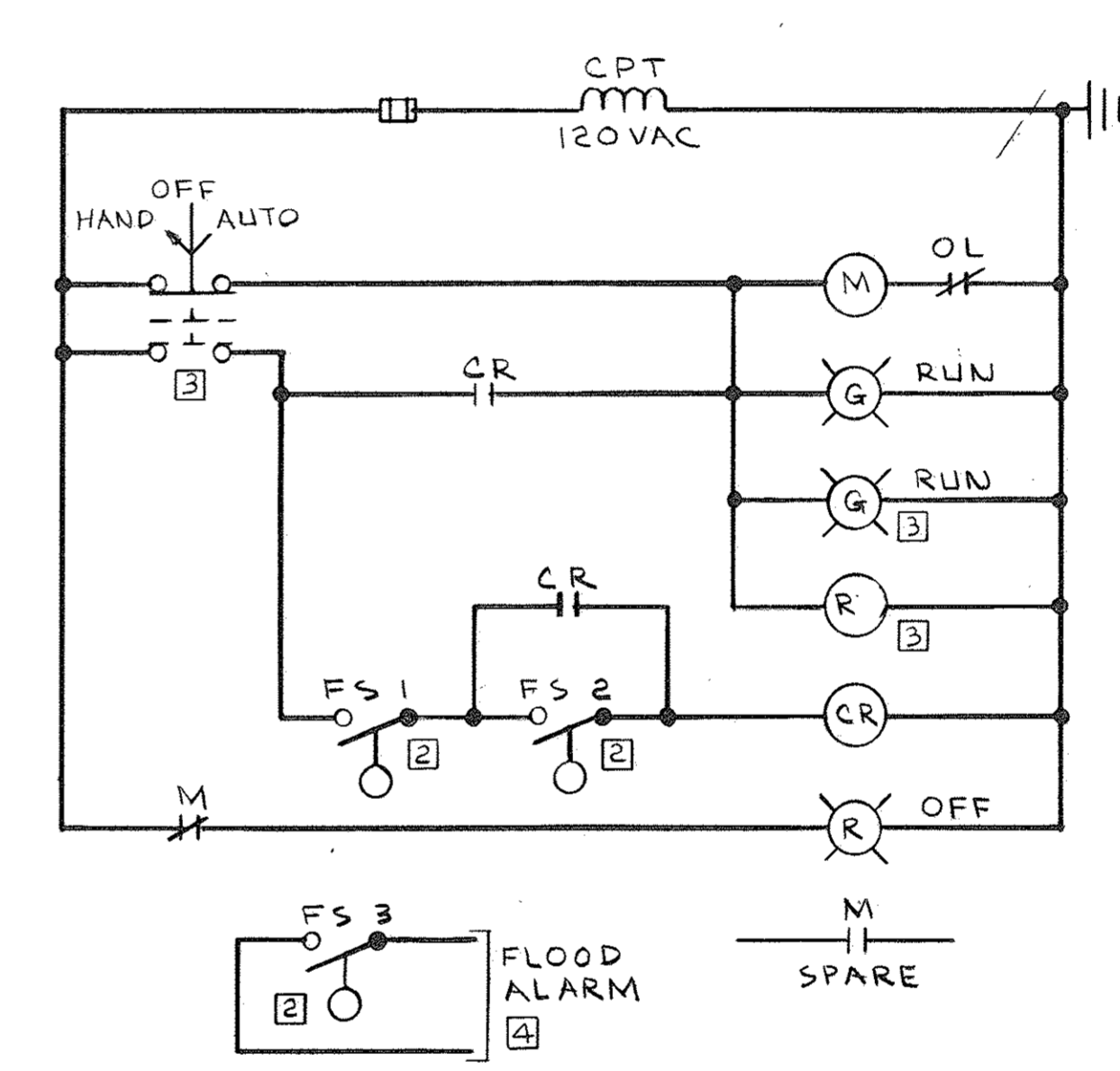


ZONE	NAMEPLATE
1	DRY WELL
2	WETWELL
3	ATTIC
4	(SPARE)

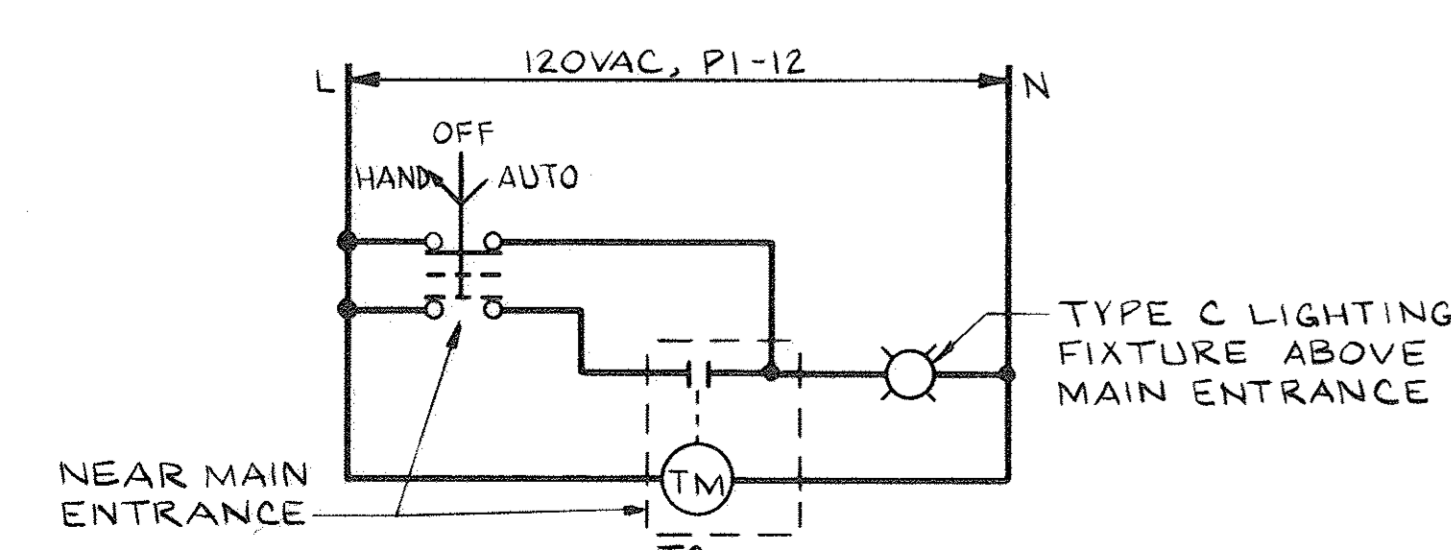
FIRE ALARM RISER DIAGRAM



WET WELL ELECTRIC HEATER CONTROL SCHEMATIC

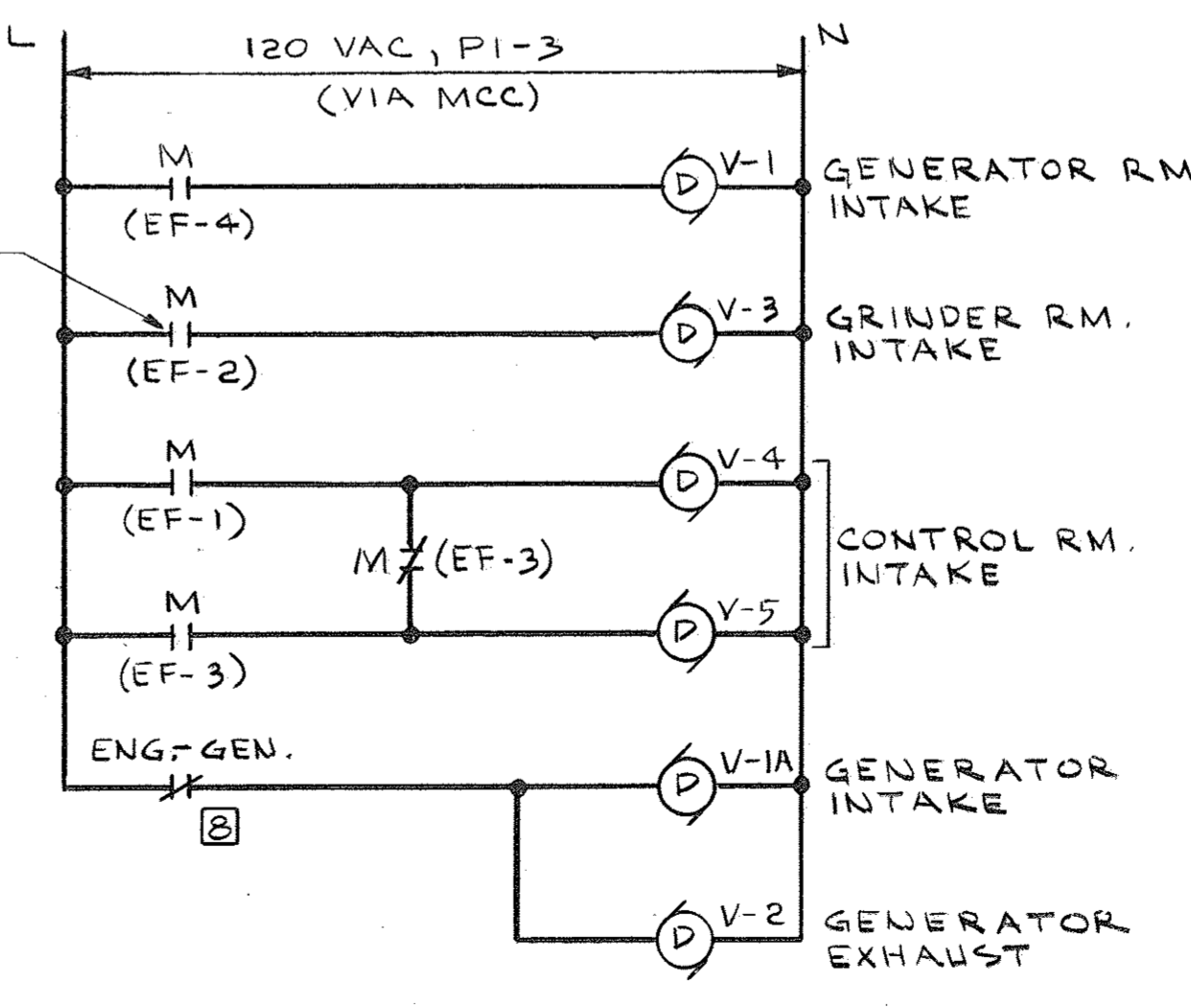


SUMP PUMP - SYSTEM 2



OUTSIDE LIGHTING TIME CLOCK
(SEE UPPER LEVEL PLAN SHEET E-5)

- NOTES:
- FOR SYMBOLS SEE SHEET E-1.
 - FOR CONTROL LEGEND SEE SHEET E-2.
 - EXCEPT AS OTHERWISE NOTED, DEVICES SHOWN ON WIRING DIAGRAMS LOCATED AT RESPECTIVE MOTOR STARTER.



MOTOR OPERATED DAMPERS

Weston & Sampson
ENGINEERS, INC.

Five Centennial Drive, Peabody, MA 01960-7906

No. 152695	CRP	MLM	FWH	Revised For Record Drawing	Description	D	V	E	O	R	P	A	Date
													4/30/91
													DATE

Peter M. Smith
REGISTERED PROFESSIONAL ENGINEER

DIAGRAMS AND DETAILS

TOWN OF LEXINGTON, MASSACHUSETTS
DEPARTMENT OF PUBLIC WORKS
NORTH LEXINGTON MAIN PUMPING STATION

SCALE: NONE JOB NO. 9065 DR BY: JNAPPI CK BY: GAWE APP BY: PMS

CONTRACT 92-1

CADD NO. FILE NO. 69-27

RECORD DRAWING