

EROSION AND SEDIMENTATION CONTROL NOTES

THIS PLAN HAS BEEN DEVELOPED AS A STRATEGY TO CONTROL SOIL EROSION AND SEDIMENTATION DURING AND AFTER CONSTRUCTION. THIS PLAN IS BASED ON THE STANDARDS AND SPECIFICATIONS FOR EROSION PREVENTION IN URBAN AND SUBURBAN AREAS AS CONTAINED IN THE "MASSACHUSETTS EROSION AND SEDIMENT CONTROL GUIDELINES FOR URBAN AND SUBURBAN AREAS", FRANKLIN, HAMPDEN, HAMPSHIRE CONSERVATION DISTRICTS, DATED MARCH, 1997.

THE PROPOSED LOCATIONS OF SILTATION AND EROSION CONTROL STRUCTURES REQUIRED FOR THE SEWER REPLACEMENT ARE SHOWN ON THE GRADING/EROSION CONTROL PLANS. PROVIDE SILT FENCE, STONE CHECK DAMS AND OTHER EROSION CONTROL MEASURES AS REQUIRED TO ADEQUATELY PREVENT SEDIMENT TRANSPORT AS NOTED IN THE BMP.

- ALL SEDIMENT AND EROSION CONTROL MEASURES SHALL BE DONE IN ACCORDANCE WITH THE "MASSACHUSETTS EROSION AND SEDIMENT CONTROL GUIDELINES FOR URBAN AND SUBURBAN AREAS", FRANKLIN, HAMPDEN, HAMPSHIRE CONSERVATION DISTRICTS, DATED MARCH, 1997.
- THOSE AREAS UNDERGOING ACTUAL CONSTRUCTION WILL BE MAINTAINED IN AN UNTREATED OR UNVEGETATED CONDITION FOR THE MINIMUM TIME REQUIRED. IN GENERAL, AREAS TO BE VEGETATED SHALL BE PERMANENTLY STABILIZED WITHIN 15 DAYS OF FINAL GRADING AND TEMPORARILY STABILIZED WITHIN 30 DAYS OF INITIAL DISTURBANCE OF THE SOIL.
- SEDIMENT BARRIERS (SILT FENCE, STONE CHECK DAMS, ETC.) SHOULD BE INSTALLED PRIOR TO ANY SOIL DISTURBANCE OF UPGRADIENT DRAINAGE AREAS.
- INSTALL SILT FENCE AT TOE OF SLOPES TO FILTER SILT FROM RUNOFF. SEE SILT FENCE DETAIL FOR PROPER INSTALLATION. SILT FENCE WILL REMAIN IN PLACE PER NOTE #5.
- ALL EROSION CONTROL STRUCTURES WILL BE INSPECTED, REPLACED AND/OR REPAIRED EVERY 7 DAYS AND IMMEDIATELY FOLLOWING ANY SIGNIFICANT RAINFALL OR SNOW MELT OR WHEN NO LONGER SERVICEABLE DUE TO SEDIMENT ACCUMULATION OR DECOMPOSITION. SEDIMENT DEPOSITS MUST BE REMOVED WHEN DEPOSITS REACH APPROXIMATELY ONE HALF THE HEIGHT OF THE BARRIER. SEDIMENT CONTROL DEVICES SHALL REMAIN IN PLACE AND BE MAINTAINED BY THE CONTRACTOR UNTIL AREAS UPSLOPE ARE PERMANENTLY STABILIZED.
- NO SLOPES, EITHER PERMANENT OR TEMPORARY, SHALL BE STEEPER THAN TWO HORIZONTAL TO ONE VERTICAL (2 TO 1) UNLESS STABILIZED WITH PERMANENT EROSION CONTROL MEASURES.
- IF FINAL SEEDING OF THE DISTURBED AREAS IS NOT TO BE COMPLETED 30 DAYS PRIOR TO THE ANTICIPATED DATE OF THE FIRST KILLING FROST, USE TEMPORARY MULCHING (DORMANT SEEDING MAY BE ATTEMPTED AS WELL) TO PROTECT THE SITE AND DELAY PERMANENT SEEDING, UNTIL UPGRADIENT AREAS ARE STABILIZED.
- WHEN FEASIBLE, TEMPORARY SEEDING OF DISTURBED AREAS THAT HAVE NOT BEEN FINISH GRADED SHALL BE COMPLETED 30 DAYS PRIOR TO THE FIRST KILLING FROST.
- DURING THE CONSTRUCTION PHASE, INTERCEPTED SEDIMENT WILL BE RETURNED TO THE SITE AND REGRADED ONTO OPEN AREAS. POST SEEDING SEDIMENT, IF ANY, WILL BE DISPOSED OF IN AN ACCEPTABLE MANNER.
- REVEGETATION MEASURES WILL COMMENCE UPON COMPLETION OF CONSTRUCTION EXCEPT AS NOTED ABOVE. ALL DISTURBED AREAS NOT OTHERWISE STABILIZED WILL BE GRADED, SMOOTHED, AND REVEGETATED AS FOLLOWS:
 - A MINIMUM OF FOUR (4) INCHES OF LOAM WILL BE SPREAD OVER DISTURBED AREAS AND SMOOTHED TO A UNIFORM SURFACE.
 - APPLY LIMESTONE AND FERTILIZER ACCORDING TO SOIL TEST. IF SOIL TESTING IS NOT DEEMED FEASIBLE ON SMALL OR VARIABLE SITES, OR WHERE TIMING IS CRITICAL, FERTILIZER MAY BE APPLIED AT THE RATE OF 800 POUNDS PER ACRE OR 18.4 POUNDS PER 1,000 SQUARE FEET USING 10-20-20 (N-P205-K20) OR EQUIVALENT. APPLY GROUND LIMESTONE (EQUIVALENT TO 50% CALCIUM PLUS MAGNESIUM OXIDE) AT A RATE OF 3 TONS PER ACRE (138 LB PER 1,000 SQ. FT.).
 - FOLLOWING SEED BED PREPARATION, DITCHES AND BACK SLOPES WILL BE SEEDED WITH A MIXTURE OF 47% CREEPING RED FESCUE, 5% REDTOP, AND 48% TALL FESCUE. THE LAWN AREAS WILL BE SEEDED WITH A PREMIUM TURF MIXTURE OF 44% KENTUCKY BLUEGRASS, 44% CREEPING RED FESCUE, AND 12% PERENNIAL RYE GRASS. SEEDING RATE IS 3.0 LBS PER 1000 SQ. FT. LAWN QUALITY SOD MAY BE SUBSTITUTED FOR SEED.
 - HAY MULCH AT THE RATE OF 70-90 LBS PER 1000 SQUARE FEET OR A HYDRO-APPLICATION OF CELLULOSE FIBER SHALL BE APPLIED FOLLOWING SEEDING. A SUITABLE BINDER WILL BE USED ON HAY MULCH FOR WIND CONTROL.
- ALL TEMPORARY EROSION CONTROL MEASURES SHALL BE REMOVED ONCE THE WORK AREA IS STABILIZED.
- WETLANDS (EXCEPTING THOSE WHICH ARE TO BE FILLED IN ACCORDANCE WITH STATE AND FEDERAL REGULATIONS) WILL BE PROTECTED WITH SILT FENCE INSTALLED AT THE EDGE OF THE WETLAND OR THE BOUNDARY OF WETLAND DISTURBANCE.
- IN GENERAL, AREAS WITHIN 100 FEET OF DELINEATED WETLANDS OR STREAMS SHALL HAVE A MAXIMUM PERIOD OF EXPOSURE OF NOT MORE THAN 15 DAYS.
- FOLLOW APPROPRIATE EROSION CONTROL MEASURES PRIOR TO EACH STORM IN ALL AREAS WITHIN 100 FEET OF DELINEATED WETLANDS OR STREAMS.

EROSION CONTROL DURING WINTER CONSTRUCTION

- WINTER CONSTRUCTION PERIOD DEFINED: NOVEMBER 1 THROUGH APRIL 15
- WINTER EXCAVATION AND EARTHWORK SHALL BE DONE SUCH THAT NO MORE THAN 1 ACRE OF THE SITE IS WITHOUT STABILIZATION AT ANY ONE TIME.
- EXPOSED AREA SHOULD BE LIMITED TO THAT THAT CAN BE MULCHED IN ONE DAY PRIOR TO ANY PRECIPITATION EVENT.
- AN AREA SHALL BE CONSIDERED TO HAVE BEEN STABILIZED WHEN EXPOSED SURFACES HAVE BEEN EITHER MULCHED WITH STRAW OR HAY AT A RATE OF 100 LB. PER 1,000 SQUARE FEET (WITH OR WITHOUT SEEDING) OR DORMANT SEEDED, MULCHED AND ADEQUATELY ANCHORED BY AN APPROVED ANCHORING TECHNIQUE. IN ALL CASES, MULCH SHALL BE APPLIED SUCH THAT SOIL SURFACE IS NOT VISIBLE THROUGH THE MULCH.
- BETWEEN THE DATES OF OCTOBER 15 AND APRIL 1ST, LOAM OR SEED WILL NOT BE REQUIRED. DURING PERIODS OF ABOVE-FREEZING TEMPERATURES, THE SLOPES SHALL BE FINE GRADED AND EITHER PROTECTED WITH MULCH OR TEMPORARILY SEEDED AND MULCHED UNTIL SUCH TIME AS THE FINAL TREATMENT CAN BE APPLIED. IF THE DATE IS AFTER NOVEMBER 1ST AND IF THE EXPOSED AREA HAS BEEN LOAMED, FINAL GRADED AND IS SMOOTH, THEN THE AREA MAY BE DORMANT SEEDED AT A RATE 200 - 300% HIGHER THAN SPECIFIED FOR PERMANENT SEED AND THEN MULCHED. IF CONSTRUCTION CONTINUES DURING FREEZING WEATHER, ALL EXPOSED AREAS SHALL BE GRADED BEFORE FREEZING AND THE SURFACE TEMPORARILY PROTECTED FROM EROSION BY THE APPLICATION OF MULCH. SLOPES SHALL NOT BE LEFT EXPOSED OVER THE WINTER OR ANY OTHER EXTENDED TIME OF WORK SUSPENSION UNLESS TREATED IN THE ABOVE MANNER. UNTIL SUCH TIME AS WEATHER CONDITIONS ALLOW DITCHES TO BE FINISHED WITH THE PERMANENT SURFACE TREATMENT, EROSION SHALL BE CONTROLLED BY THE INSTALLATION OF BALES OF HAY OR STONE CHECK DAMS IN ACCORDANCE WITH THE STANDARD DETAILS.
- BETWEEN THE DATES OF NOVEMBER 1ST AND APRIL 15TH ALL MULCH SHALL BE EITHER WOOD CELLULOSE FIBER OR BE ANCHORED WITH MULCH NETTING OR CHEMICAL TACK.
 - MULCH NETTING SHALL BE USED TO ANCHOR MULCH IN ALL DRAINAGE WAYS WITH A SLOPE GREATER THAN 3%, FOR SLOPES EXPOSED TO DIRECT WINDS AND FOR ALL OTHER SLOPES GREATER THAN 8%.
 - MULCH NETTING SHALL BE USED TO ANCHOR MULCH IN ALL AREAS WITH SLOPES GREATER THAN 15%. AFTER OCTOBER 1ST, THE SAME APPLIES FOR ALL SLOPES GREATER THAN 8%.
- AFTER NOVEMBER 1ST THE CONTRACTOR SHALL APPLY DORMANT SEEDING OR MULCH AND ANCHORING ON ALL BARE EARTH AT THE END OF EACH WORKING DAY.
- DURING WINTER CONSTRUCTION PERIODS ALL SNOW SHALL BE REMOVED FROM AREAS OF SEEDING AND MULCHING PRIOR TO PLACEMENT.

MULCH ANCHORING

ANCHOR MULCH WITH: MULCH NETTING (AS PER MANUFACTURER); ASPHALT EMULSION (0.05 GALLONS PER SQ. YD.); CHEMICAL TACK (AS PER MANUFACTURER'S SPECIFICATIONS); OR BE WOOD CELLULOSE FIBER (2000 LBS/ACRE). WETTING FOR SMALL AREAS AND ROAD DITCHES MAY BE PERMITTED.

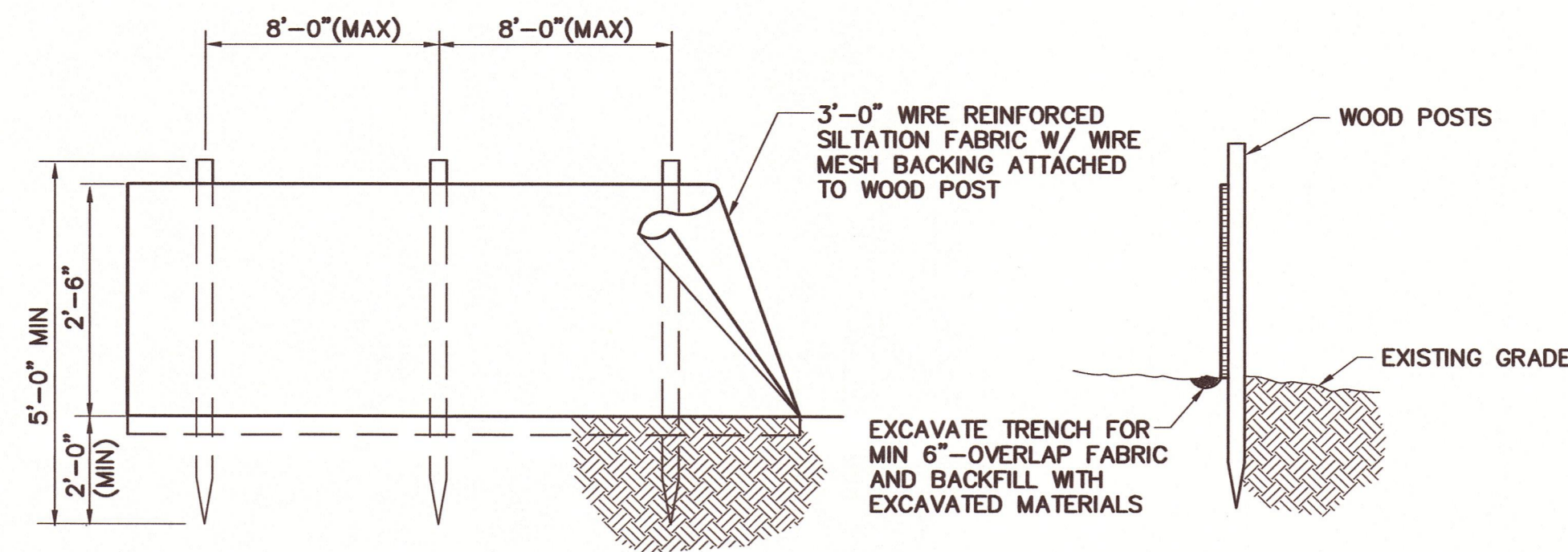
ADDITIONAL TEMPORARY SEED MIXTURE (OR PERIODS LESS THAN 12 MONTHS)

SEED	RATE
OATS	80 LBS/ACRE
ANNUAL RYE GRASS	40 LBS/ACRE
WINTER RYE	120 LBS/ACRE
MULCH W/ DORMANT SEED	80 LBS/ACRE*
FOXTAIL MILLET	30 LBS/ACRE

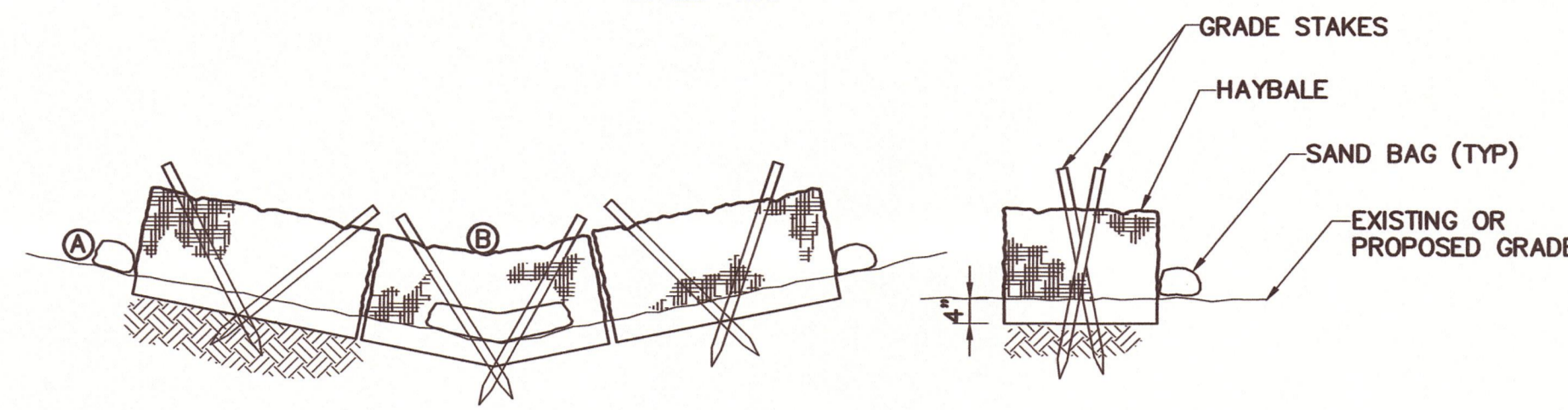
MULCH AND MULCH ANCHORING

LOCATION	MULCH	RATE (1000 S.F.)
PROTECTED AREA	STRAW OR HAY *	100 POUNDS
WINDY AREAS	STRAW OR HAY (ANCHORED) *	100 POUNDS
MODERATE TO HIGH VELOCITY AREAS OR STEEP SLOPES (GREATER THAN 3:1)	JUTE MESH,	AS REQUIRED
	EXCELSIOR MAT OR EQUIV.	AS REQUIRED

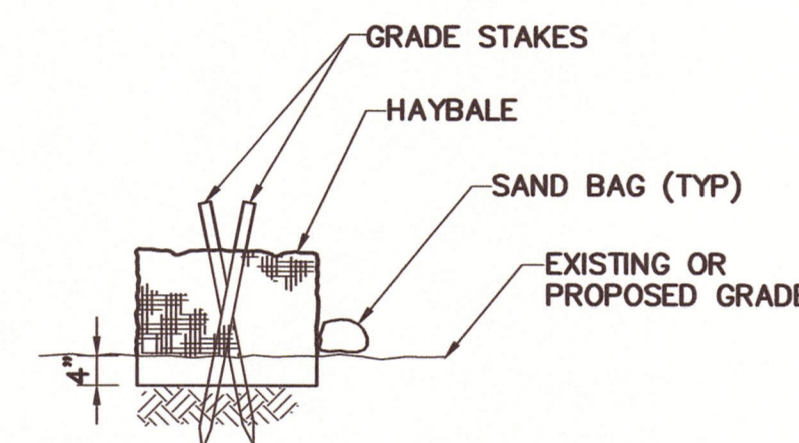
* A HYDRO-APPLICATION OF CELLULOSE FIBER MAY BE APPLIED FOLLOWING SEEDING. A SUITABLE BINDER SHALL BE USED ON HAY MULCH FOR WIND CONTROL.



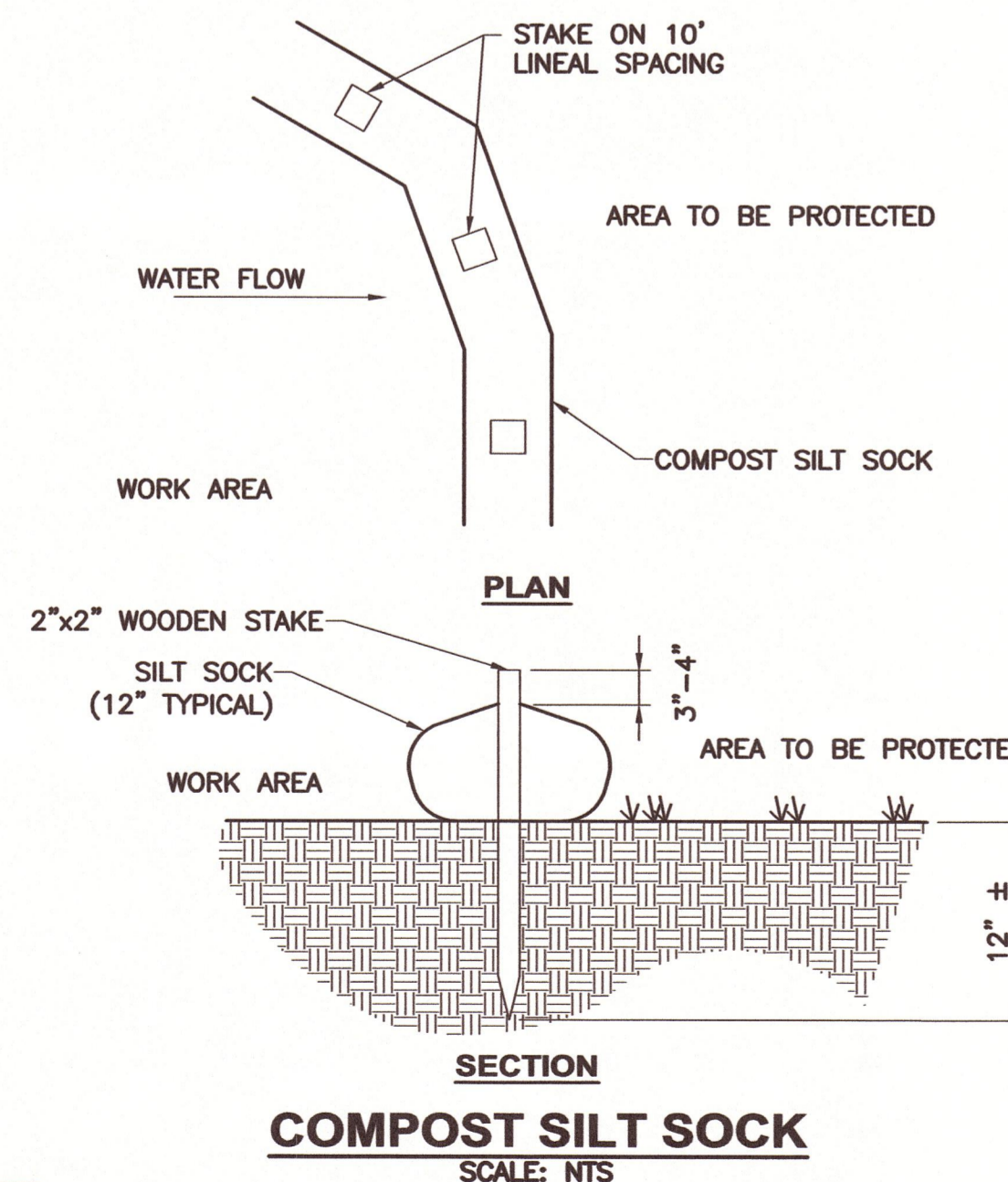
SILT FENCE INSTALLATION DETAIL
SCALE: NTS



HAY BALE CHECK DAM
SCALE: NTS

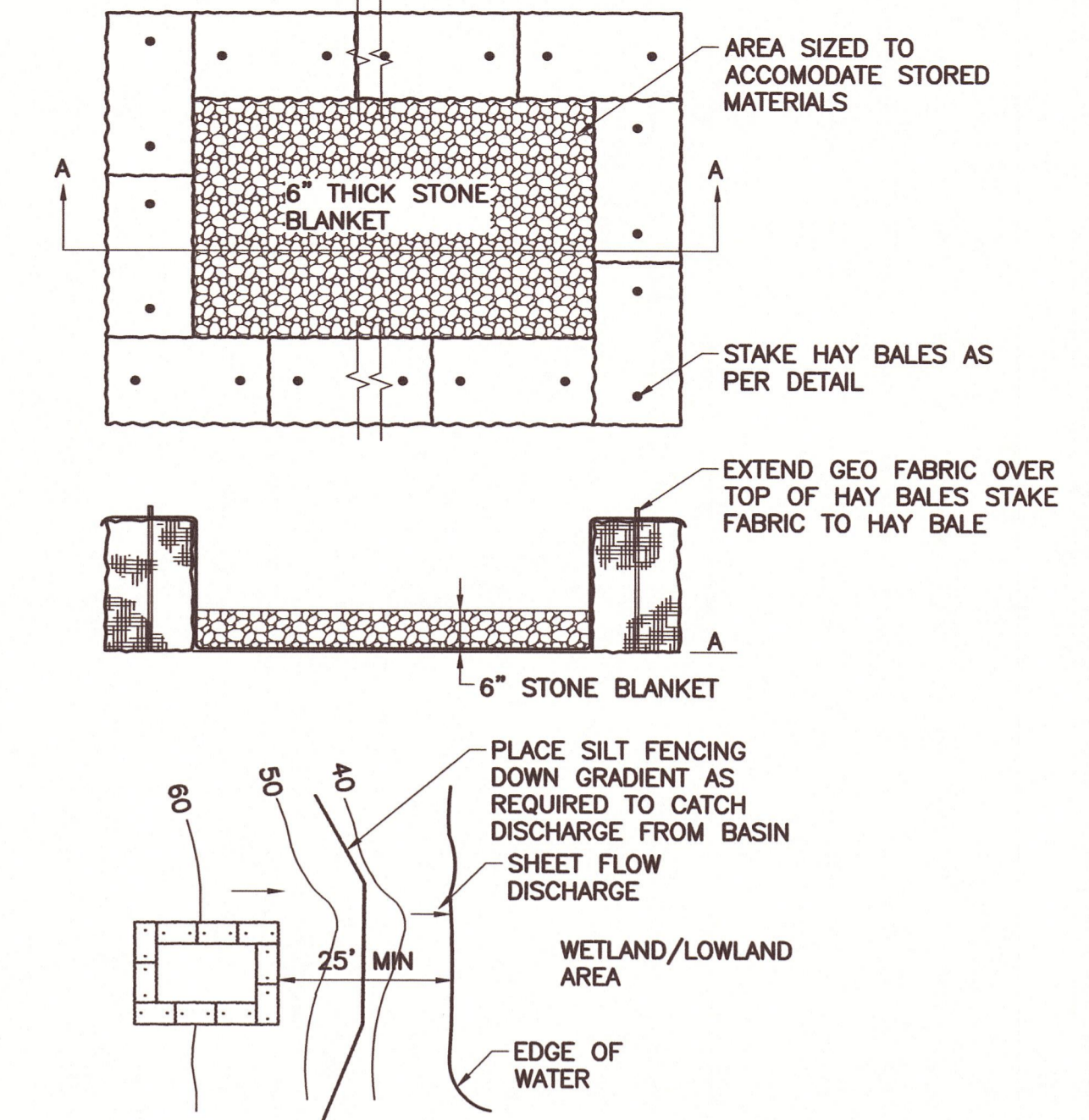


HAY BALE BARRIER
SCALE: NTS

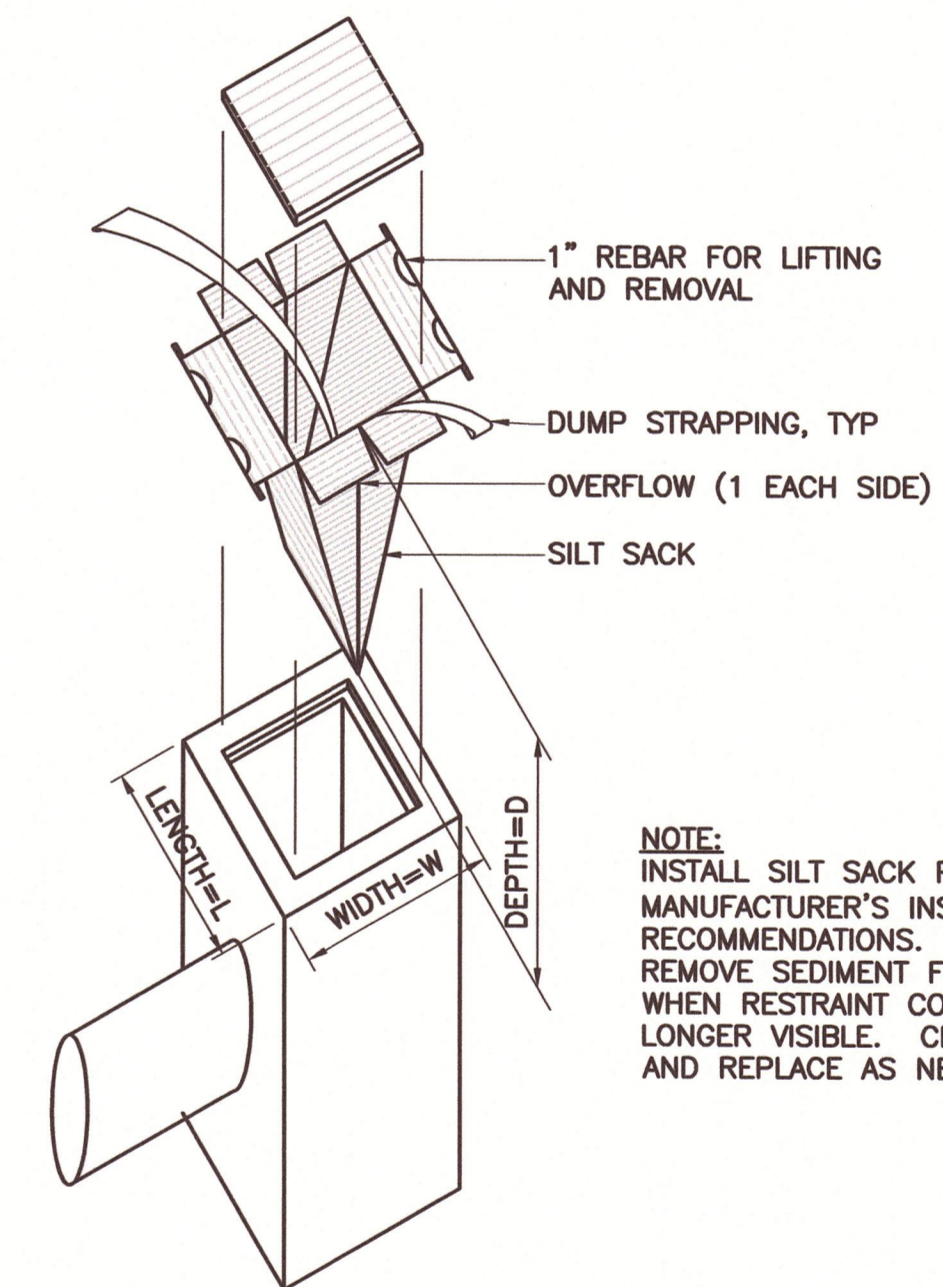


COMPOST SILT SOCK
SCALE: NTS

- NOTES:
- ALL MATERIAL TO MEET SPECIFICATIONS
 - SILT SOCK COMPOST/SOIL/ROCK/SEED/STRAW FILL TO MEET APPLICATION REQUIREMENTS
 - SILT SOCK DEPICTED IS FOR MINIMUM SLOPES. GREATER SLOPES MAY REQUIRE LARGER SOCKS PER THE ENGINEER
 - COMPOST MATERIAL TO BE DISPERSED ON SITE, AS DETERMINED BY ENGINEER.



TEMPORARY HAY BALE SEDIMENT BASIN
SCALE: NTS



SILT SACK CATCH BASIN INLET
SCALE: NTS

NOTE:
INSTALL SILT SACK PER MANUFACTURER'S INSTRUCTIONS AND RECOMMENDATIONS. EMPTY OR REMOVE SEDIMENT FROM SILT SACK WHEN RESTRAINT CORD IS NO LONGER VISIBLE. CLEAN, RINSE, AND REPLACE AS NEEDED.

THESE RECORD DRAWINGS HAVE BEEN PREPARED, IN PART, ON THE BASIS OF THE INFORMATION COMPILED AND FURNISHED BY OTHERS. THE ENGINEER WILL NOT BE RESPONSIBLE FOR ANY ERRORS OR OMISSIONS WHICH HAVE BEEN INCORPORATED INTO THIS DOCUMENT AS A RESULT.

NO.	ISSUED FOR	DATE
1	ISSUED FOR BID	11/14
2	RECORD DRAWINGS	07/16

DESIGNED BY: ALK/BAY
 CAD COORD: SCV
 CHECKED BY: KRO
 DATE: 11/14
 APPROVED BY: KMO
 DATE: 11/14
 PROJECT NO: 12938A

WRIGHT-PIERCE
 Engineering a Better Environment
 Offices Throughout New England
 888.621.8156 | www.wright-pierce.com

TOWN OF LEXINGTON, MA
 BRIGHAM ROAD WASTEWATER
 PUMP STATION UPGRADE

DETAILS III

DRAWING
 C-7