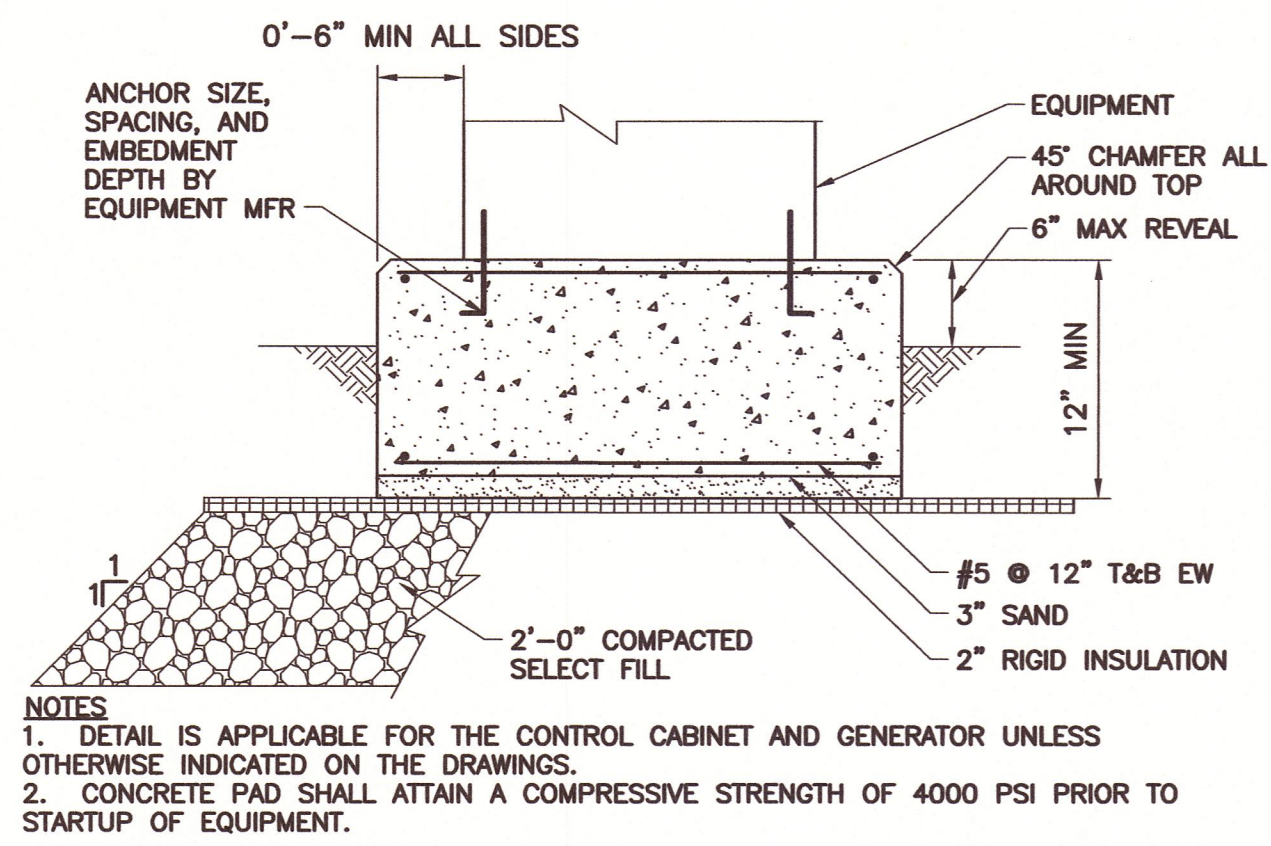
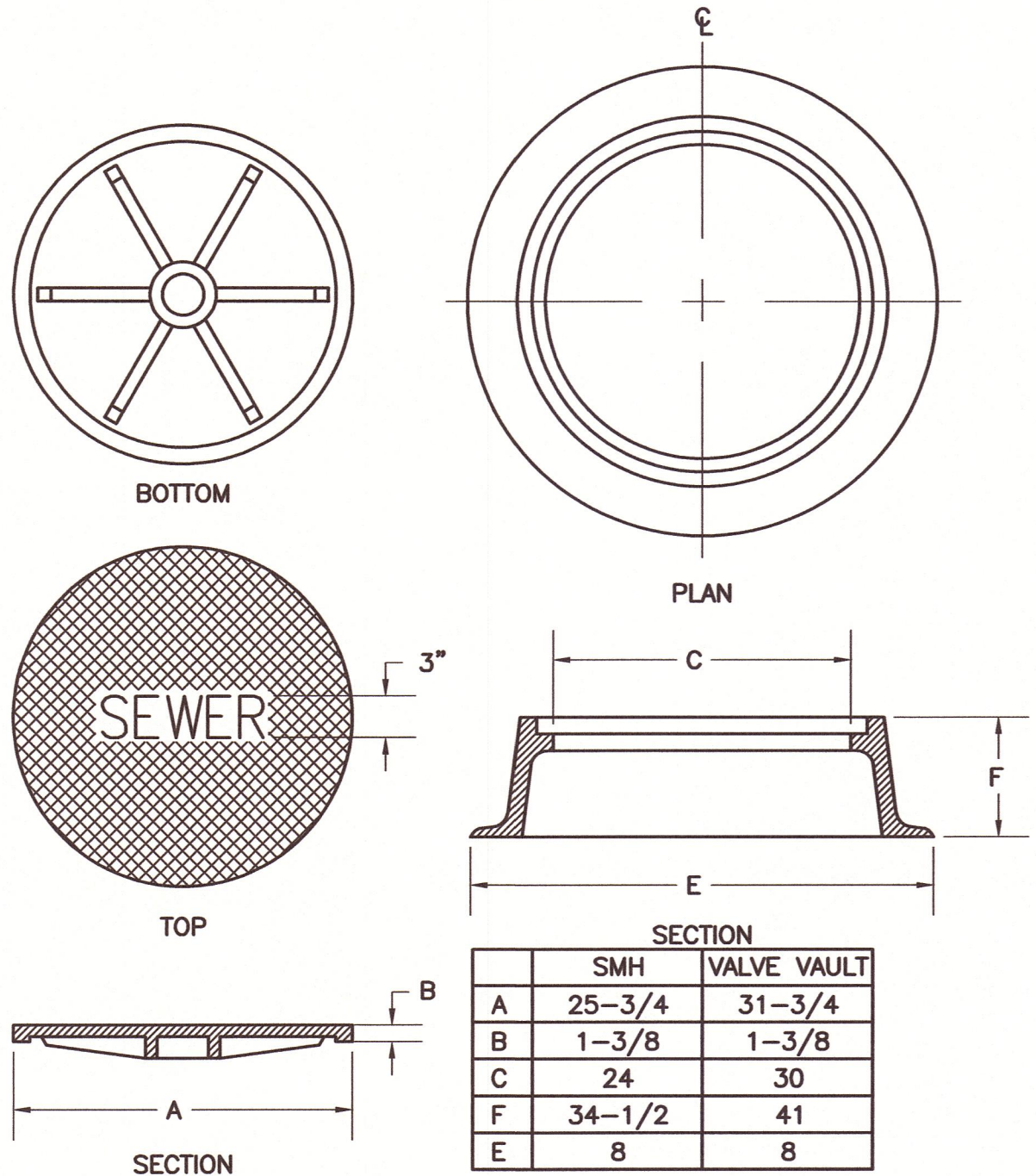


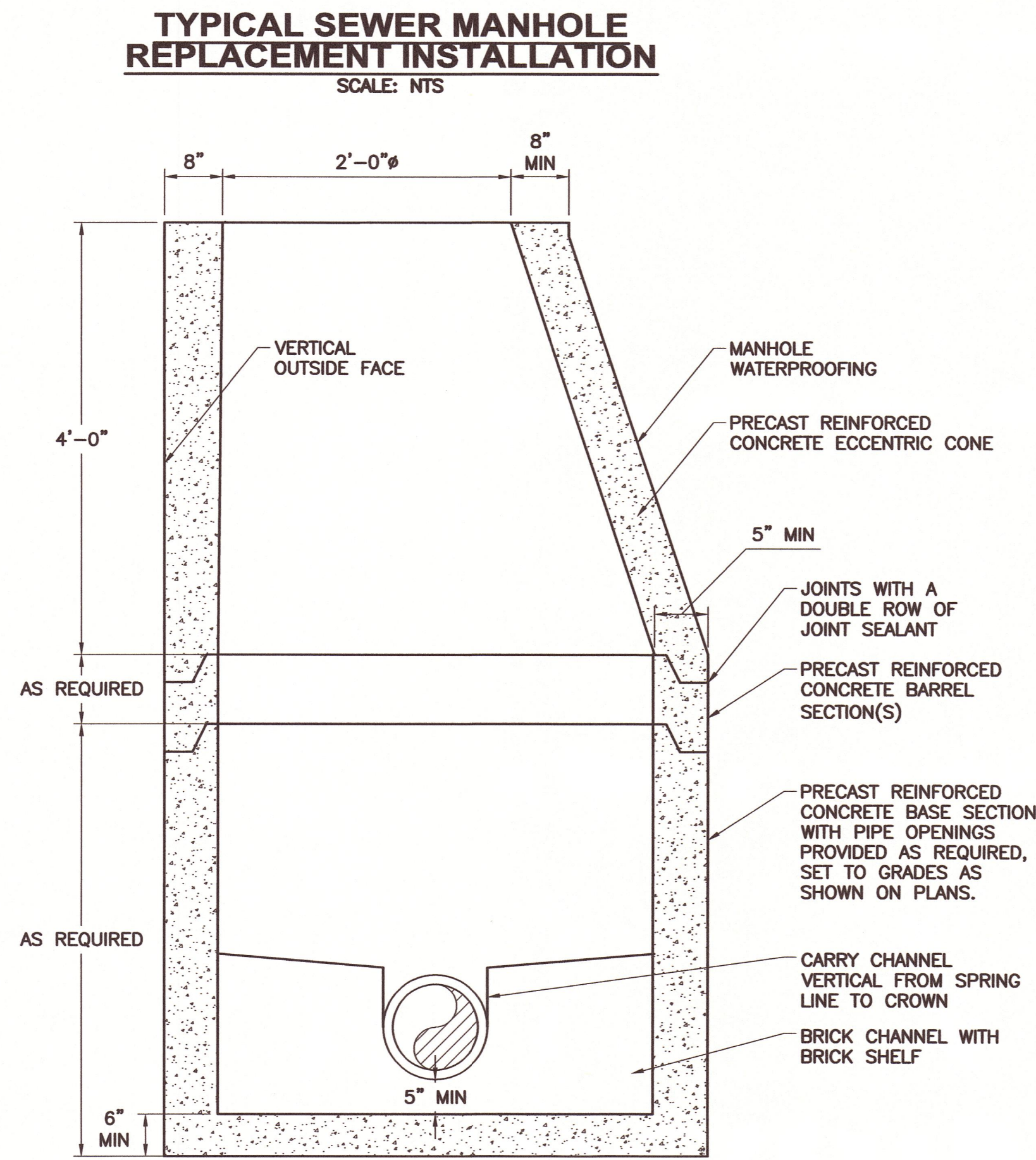
- NOTES:
 1. ALL EXCAVATION MUST MEET OSHA STANDARDS.
 2. SEE SPECIFICATIONS FOR BEDDING AND BACKFILL REQUIREMENTS.
 3. ADDITIONAL PIPE EXTENSIONS AND APPURTENANCES MAY BE REQUIRED TO ACCOMMODATE OTHER PIPELINES AND/OR SERVICES ENTERING MANHOLES.



EXTERIOR CONCRETE PAD DETAIL
SCALE: NTS

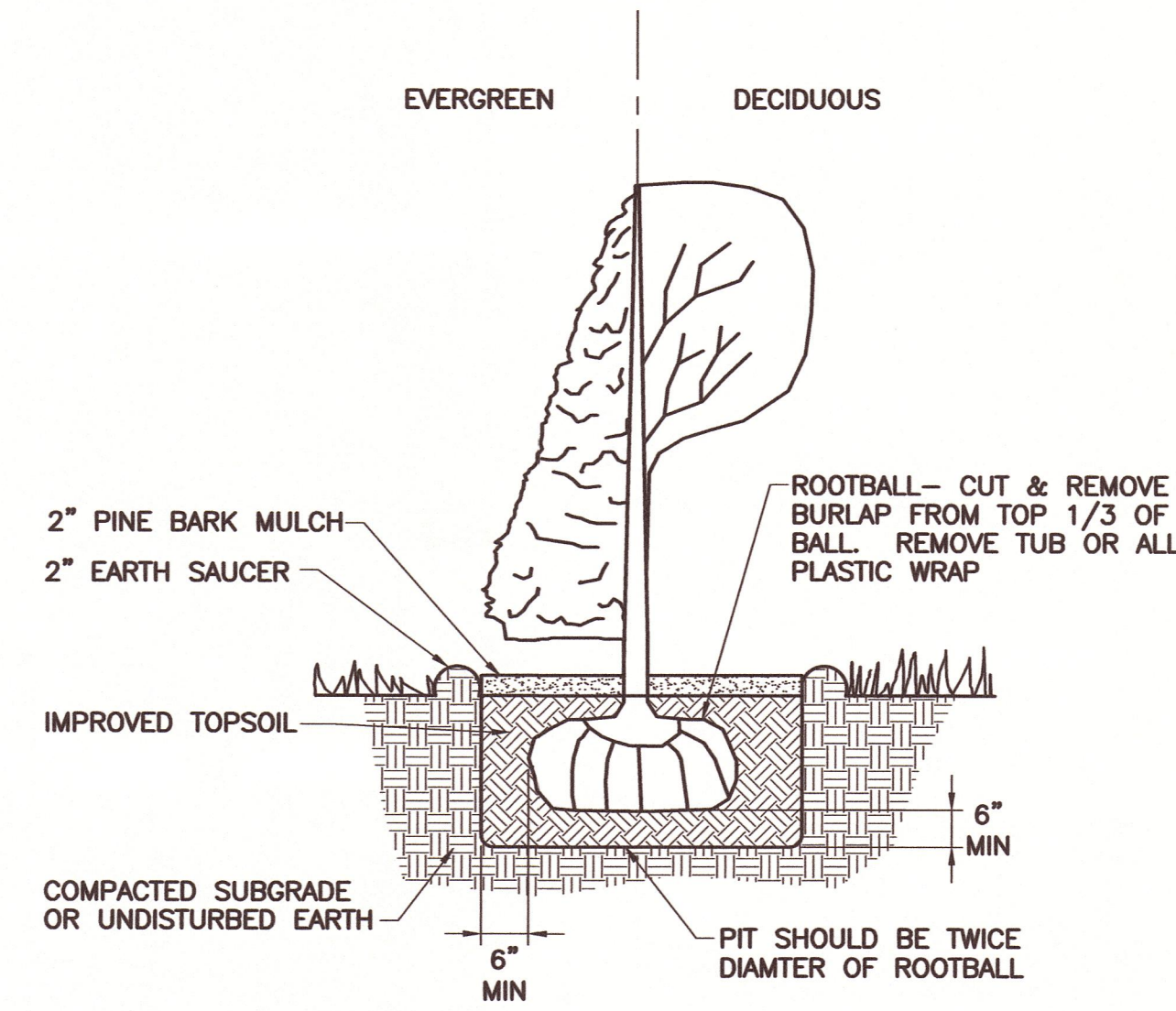


SEWER MANHOLE FRAME AND COVER
SCALE: NTS



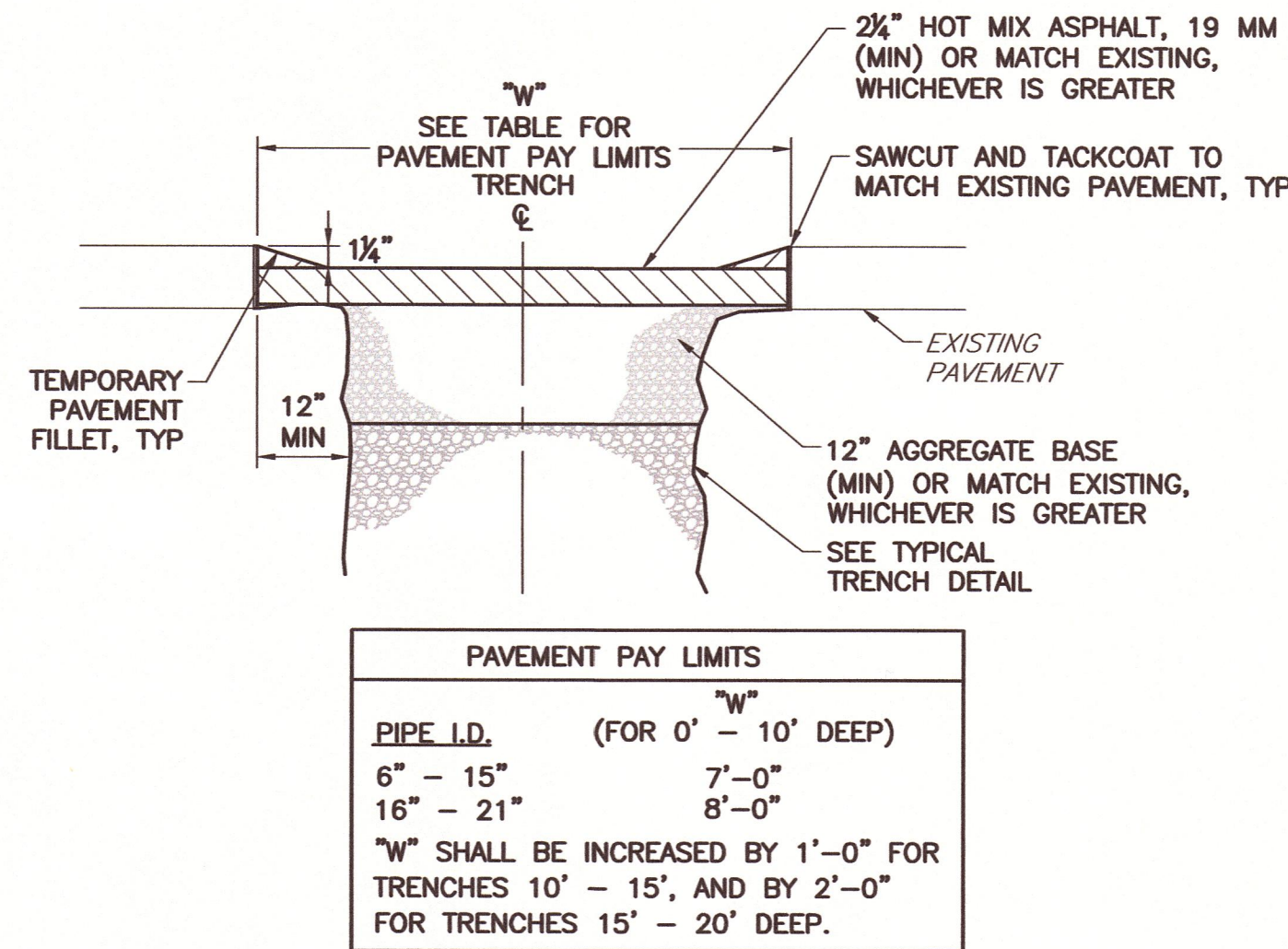
- NOTES:
 1. MANHOLE CHANNELS REQUIRING A CHANGE IN DIRECTION ARE TO BE BUILT ON A SMOOTH CURVE OF THE LONGEST POSSIBLE RADIUS. IF SIDE PIPES ENTER CHANNEL, SHAPE TO RECEIVE ADDED SIDE FLOW.
 2. USE A FLAT SLAB TOP MANHOLE WHEN THE HEIGHT DIFFERENCE BETWEEN THE HIGHEST INVERT AND RIM IS LESS THAN 6'-0" AND WHEN MANHOLE DIAMETER IS GREATER THAN 4'-0".

TYPICAL 4-FT MANHOLE
SCALE: NTS

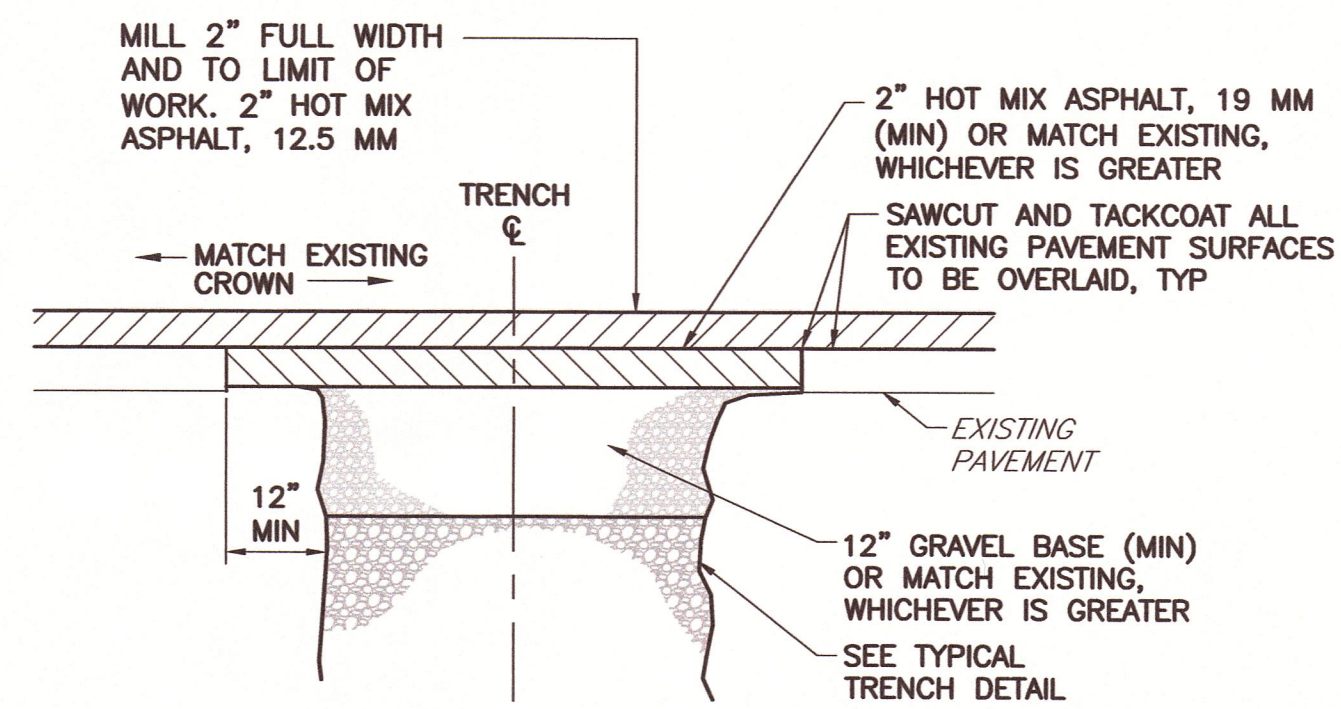


- NOTE: REFER TO LANDSCAPING SPECIFICATION (SECTION 02485) FOR THE PLANTING LIST

SHRUB PLANTING
SCALE: NTS

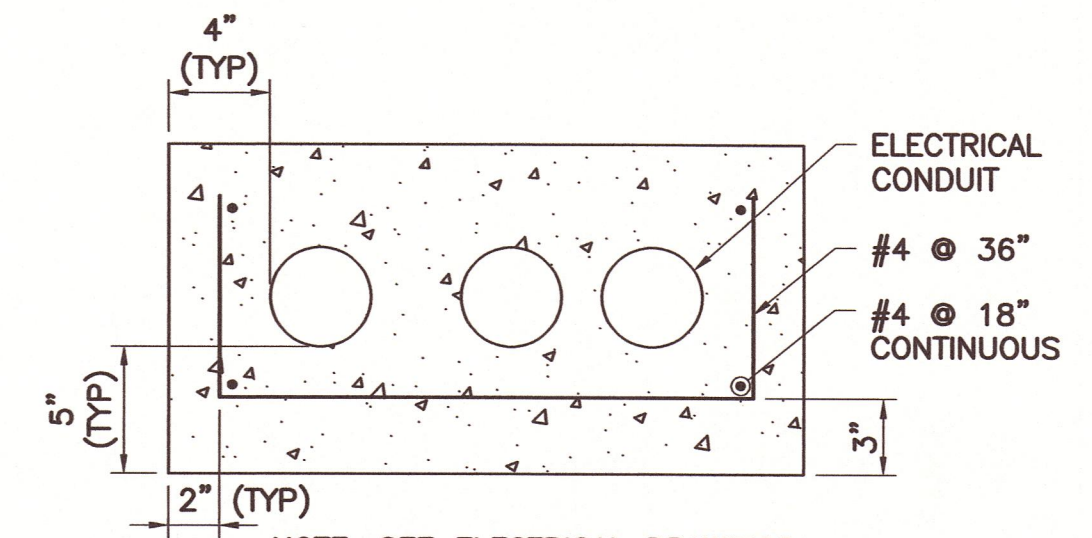


INITIAL TRENCH PAVING (WITHOUT OVERLAY)
SCALE: NTS

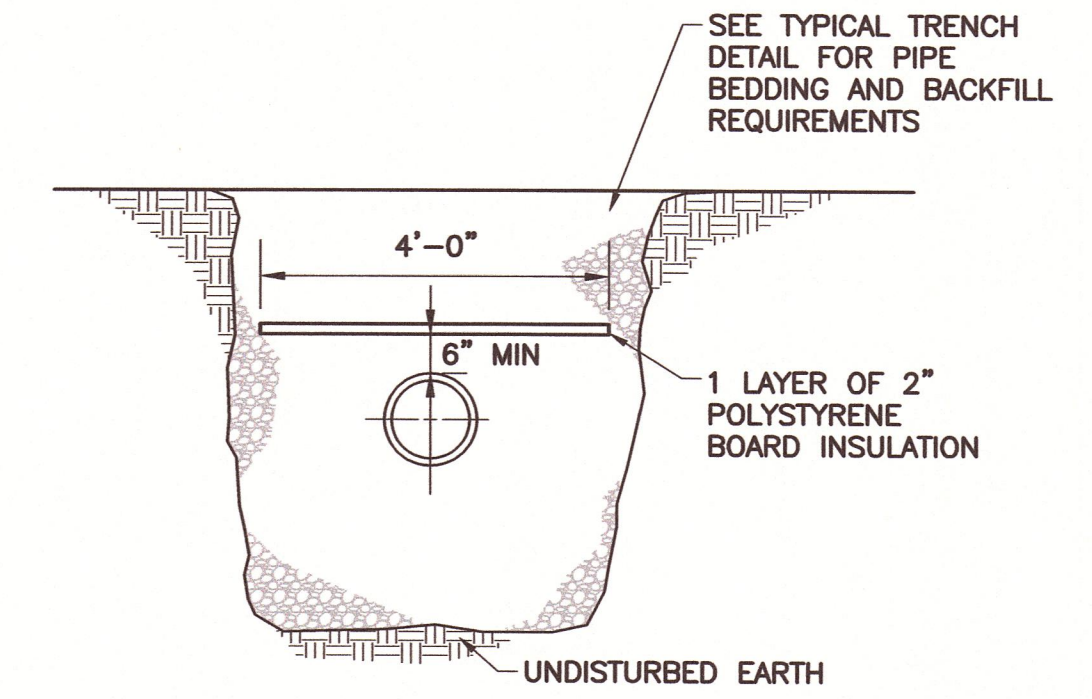


NOTE: INITIAL TRENCH PAVING MAY BE USED AS THE BASE COURSE FOR FINAL PAVING IF IN GOOD REPAIR.

FINAL TRENCH PAVING (WITH OVERLAY)
SCALE: NTS

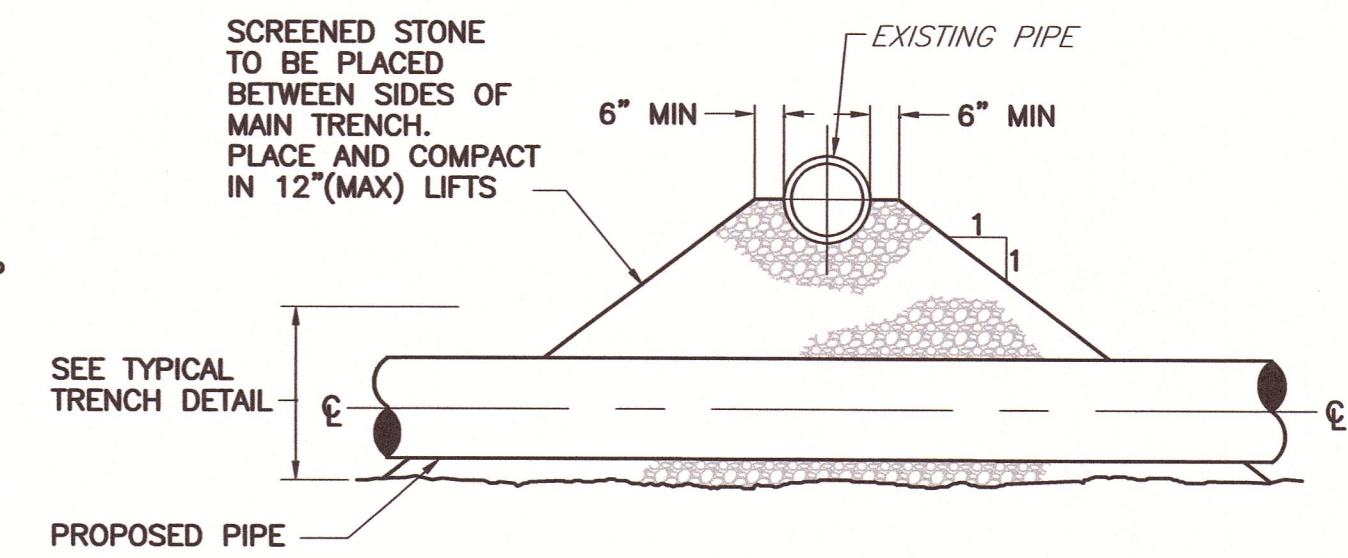


NOTE: SEE ELECTRICAL DRAWINGS FOR ADDITIONAL DETAILS.



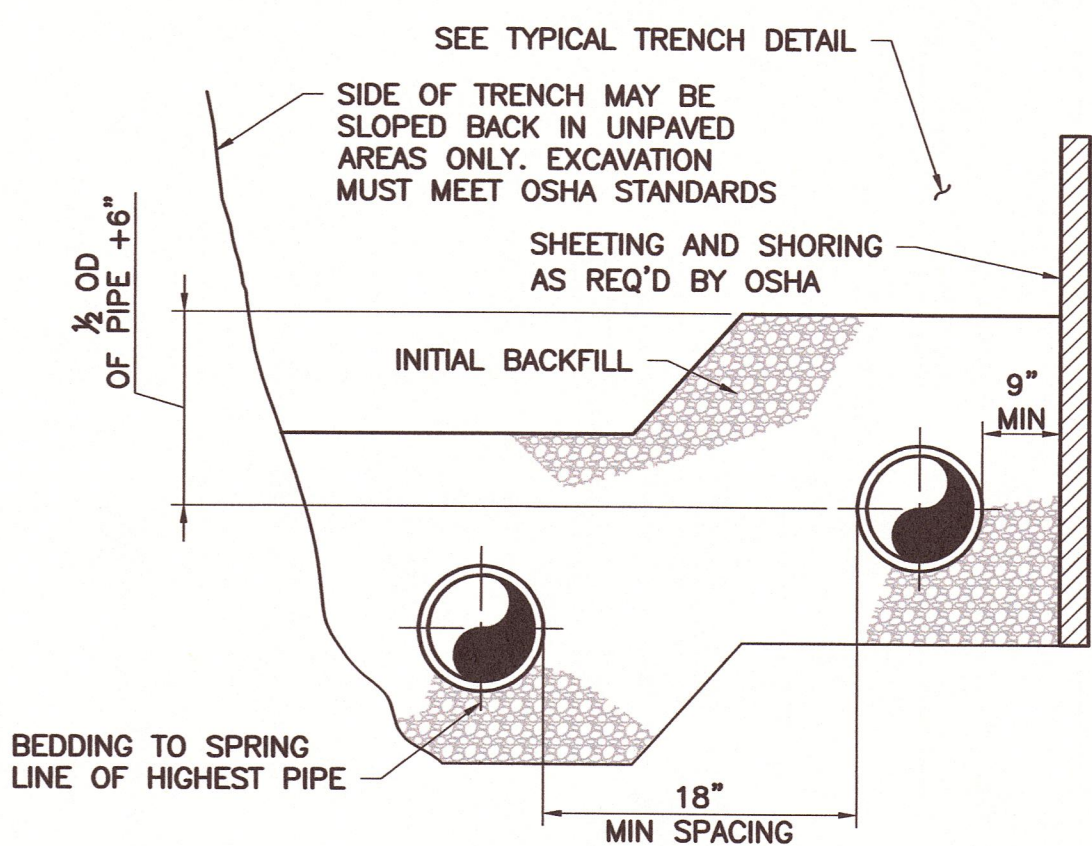
NOTE: TRENCH PIPE INSULATION TO BE USED WHERE DEPTH OF COVER IS LESS THAN 3 FEET OR AS DIRECTED BY THE ENGINEER

TRENCH PIPE INSULATION
SCALE: NTS



NOTE: JOINTS ON EACH PIPE TO BE AS FAR FROM INTERSECTION AS POSSIBLE

PIPE CROSSING
SCALE: NTS

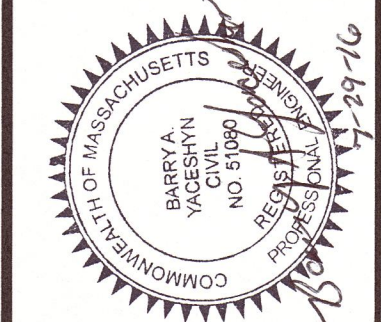


- NOTES:
 1. THIS SECTION IS SHOWN FOR TWO PIPES. IT IS TO BE USED FOR ANY NUMBER OF PIPES.
 2. SEE SPECIFICATIONS FOR BEDDING AND BACKFILL MATERIALS AND COMPACTED BACKFILL REQUIREMENTS.
 3. PIPE SPACING SHOWN IS TYPICAL UNLESS OTHERWISE NOTED.
 4. SEE SPECIFICATIONS SECTION 01150 - MEASUREMENT AND PAYMENT FOR PAY WIDTH REQUIREMENTS.

MULTIPLE PIPE TRENCH
SCALE: NTS

NO.	ISSUED FOR	DATE
1	FOR BID	11/14
2	RECORD DRAWINGS	07/16

DESIGNED BY: A.K. BAY
 CHECKED BY: KRO
 APPROVED BY: KMO
 DATE: 11/14
 PROJECT NO: 12938A



WRIGHT-PIERCE
 Engineering a Better Environment
 Offices Throughout New England | www.wright-pierce.com
 888.621.8156

TOWN OF LEXINGTON, MA
 BRIGHAM ROAD WASTEWATER
 PUMP STATION UPGRADE