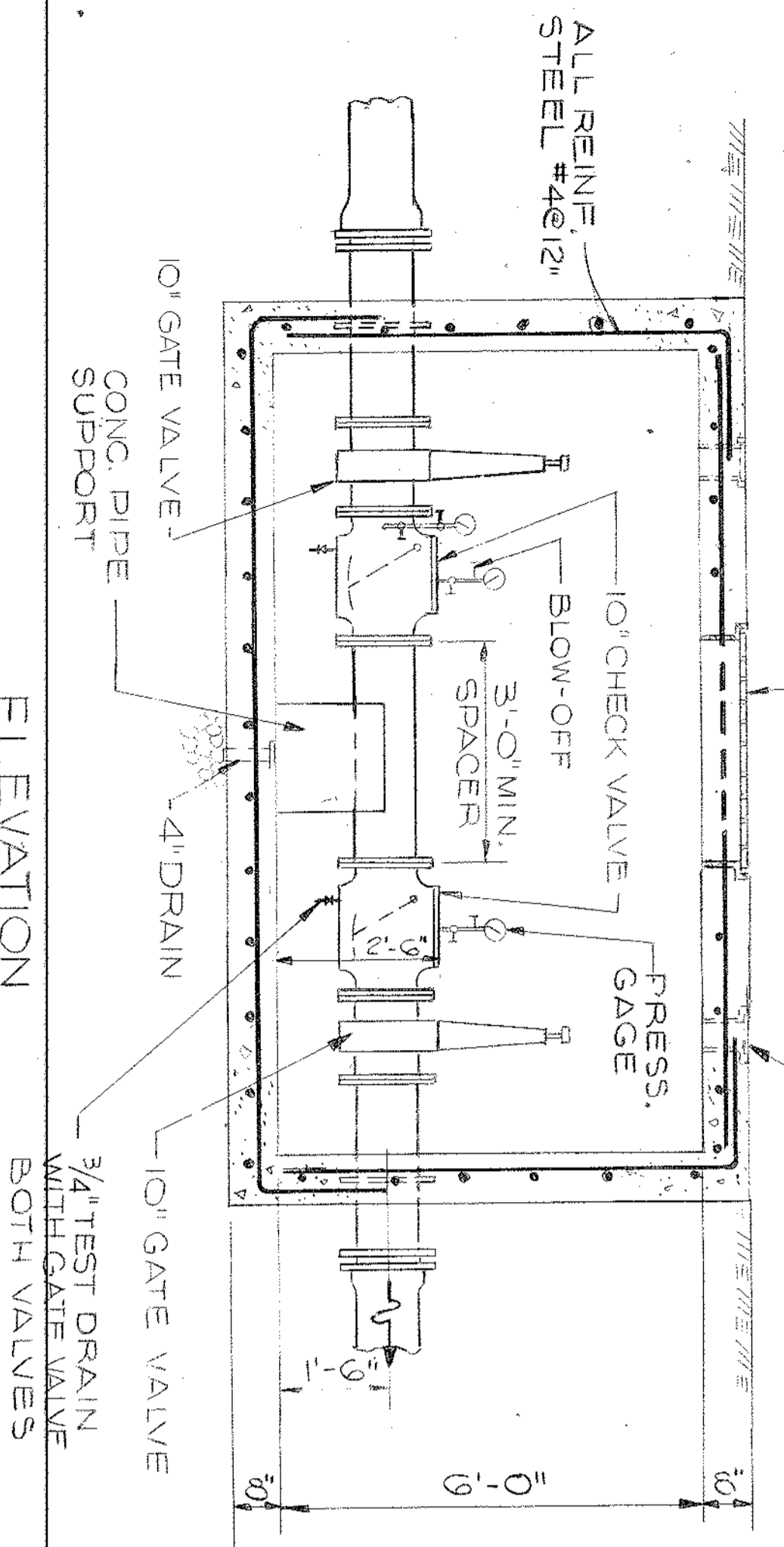


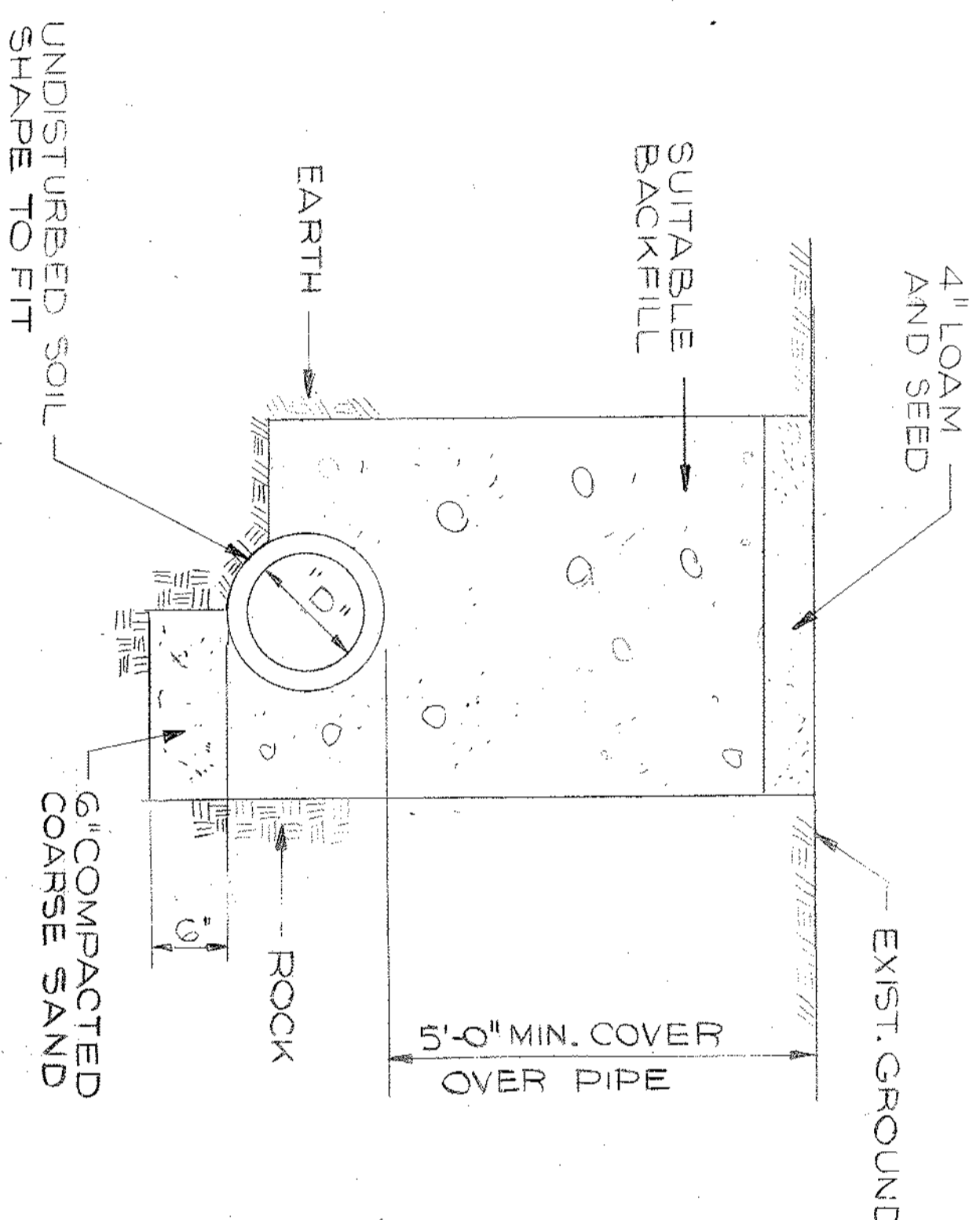
NOTE:
CHECK VALUES MUST BE OF
APPROVED STEEL TYPE HAVING
ALL BRONZE BODIES AND
CLAPPERS, FITTED WITH SOFT
RUBBER FACINGS

PLAN
SCALE 1/2" = 1'-0"

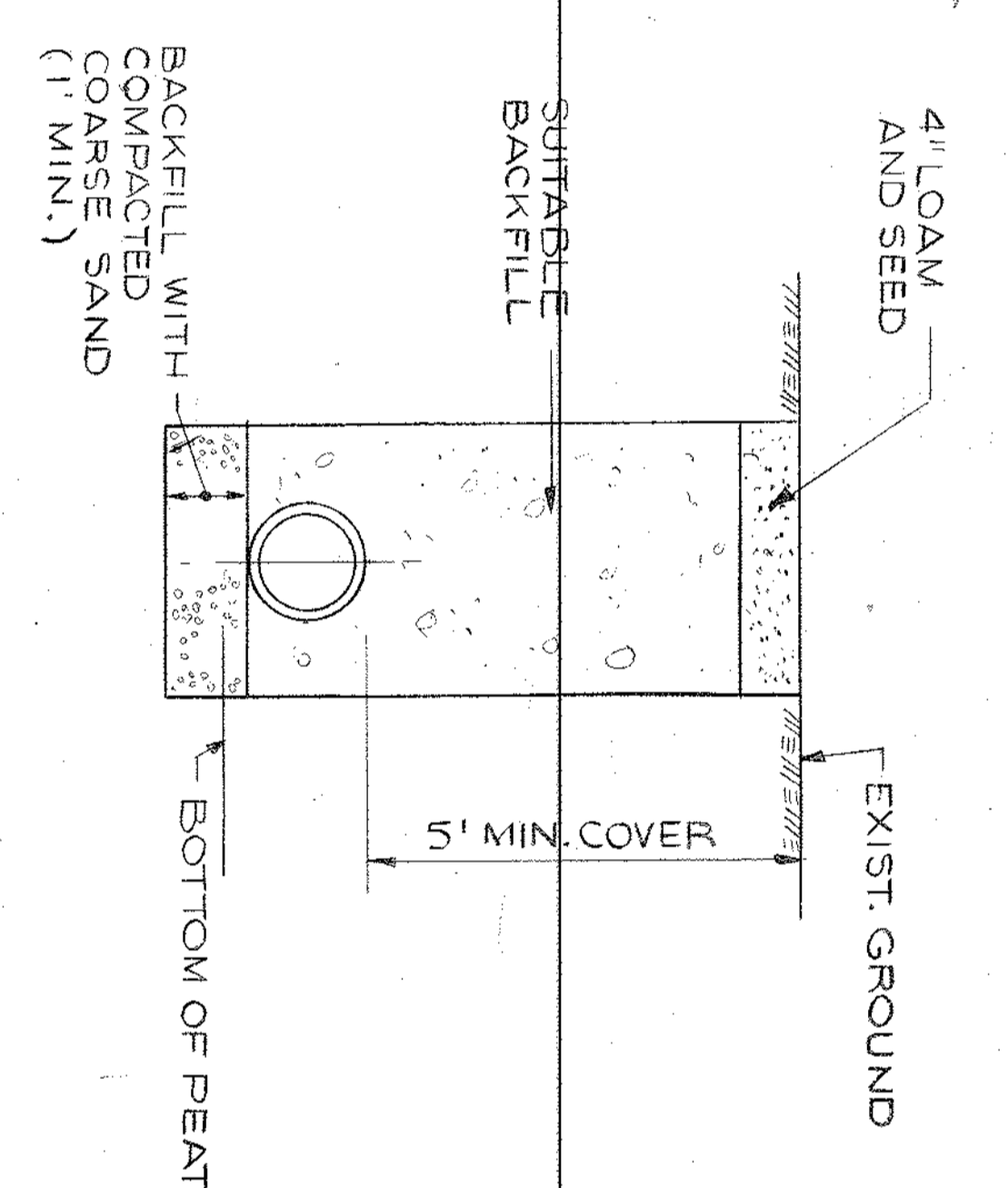


ELEVATION
SCALE 1/2" = 1'-0"

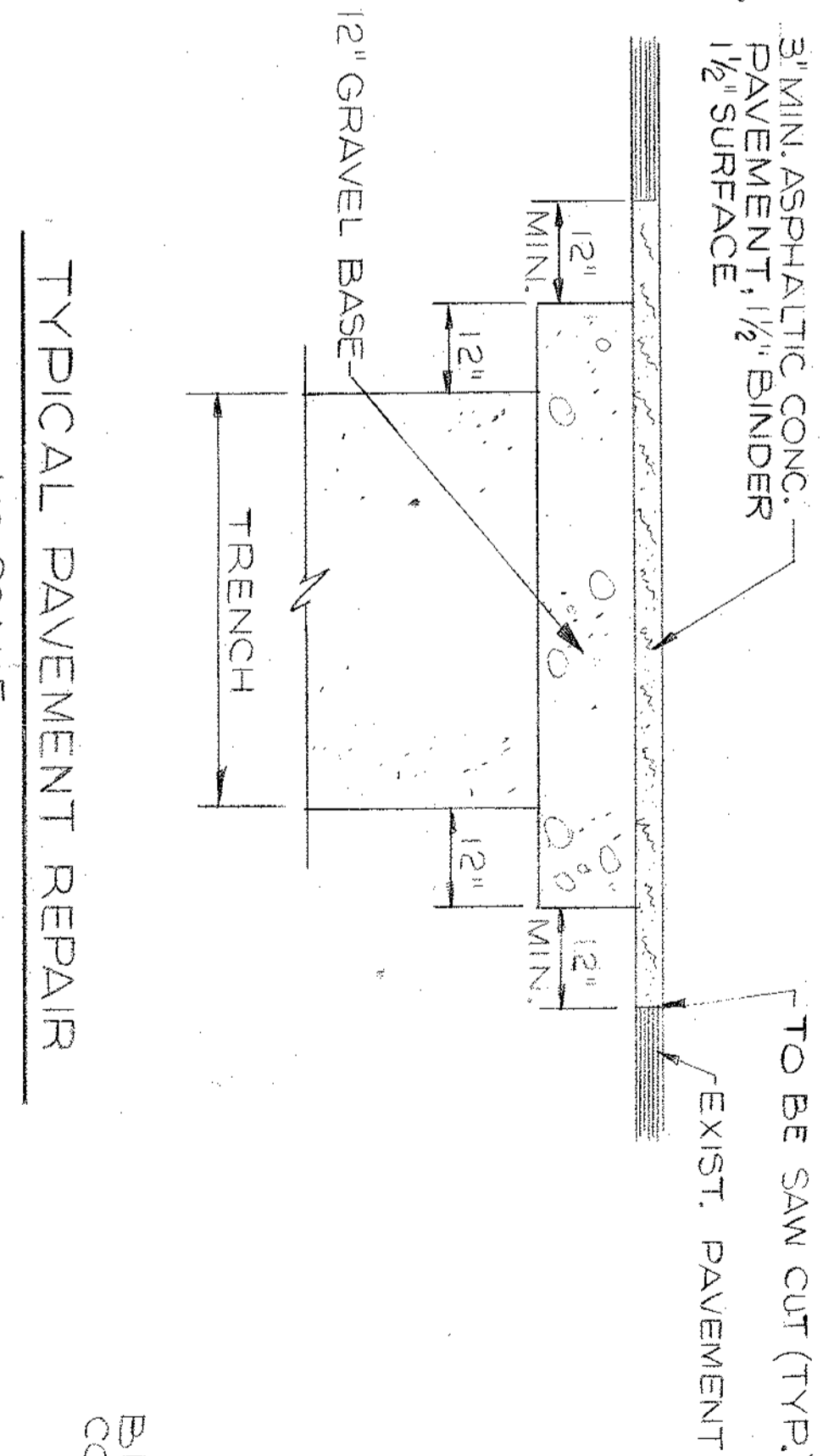
CROSS CONNECTION PIT



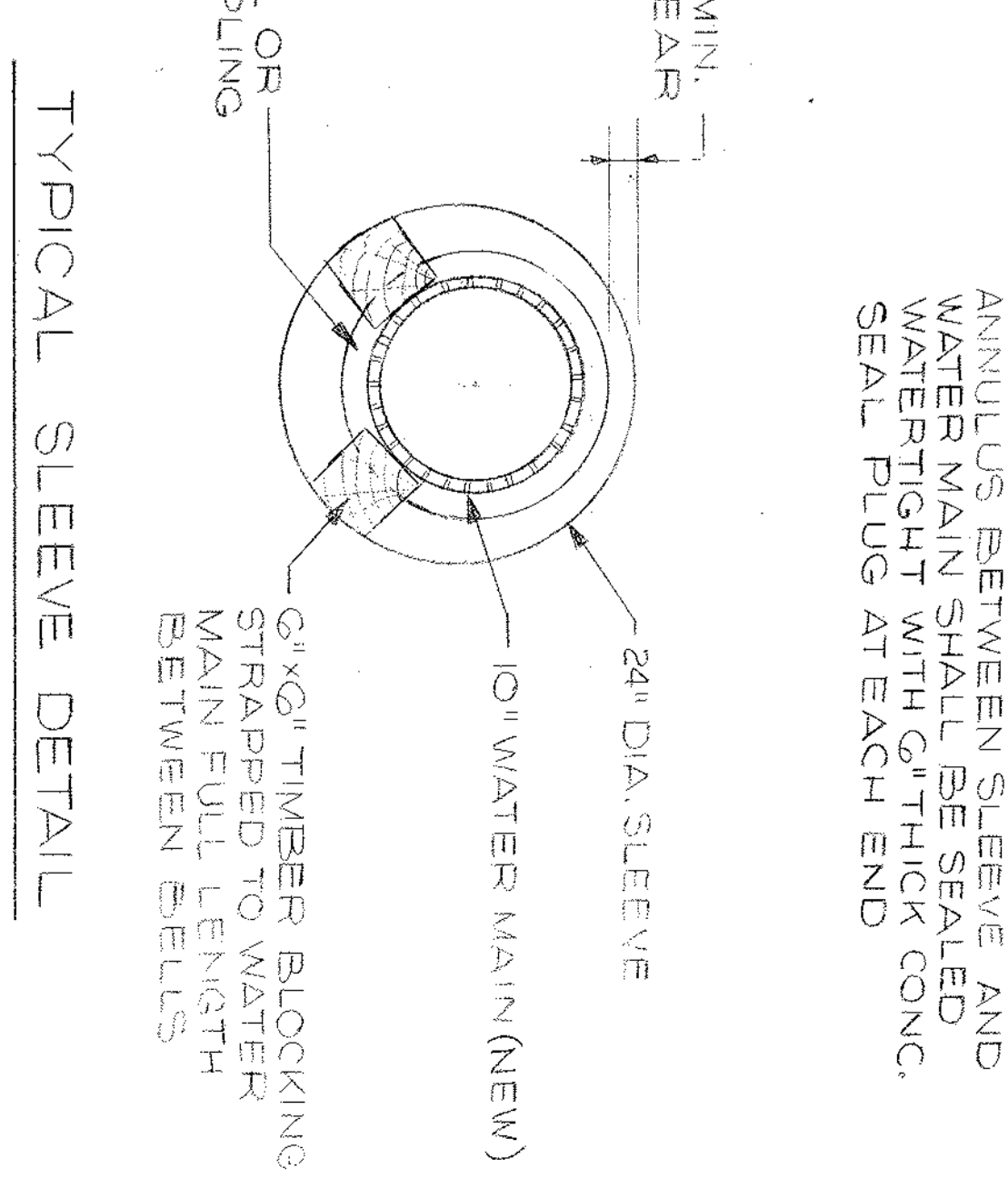
TYPICAL TRENCH DETAIL
NO SCALE



PEAT TRENCH DETAIL
NO SCALE

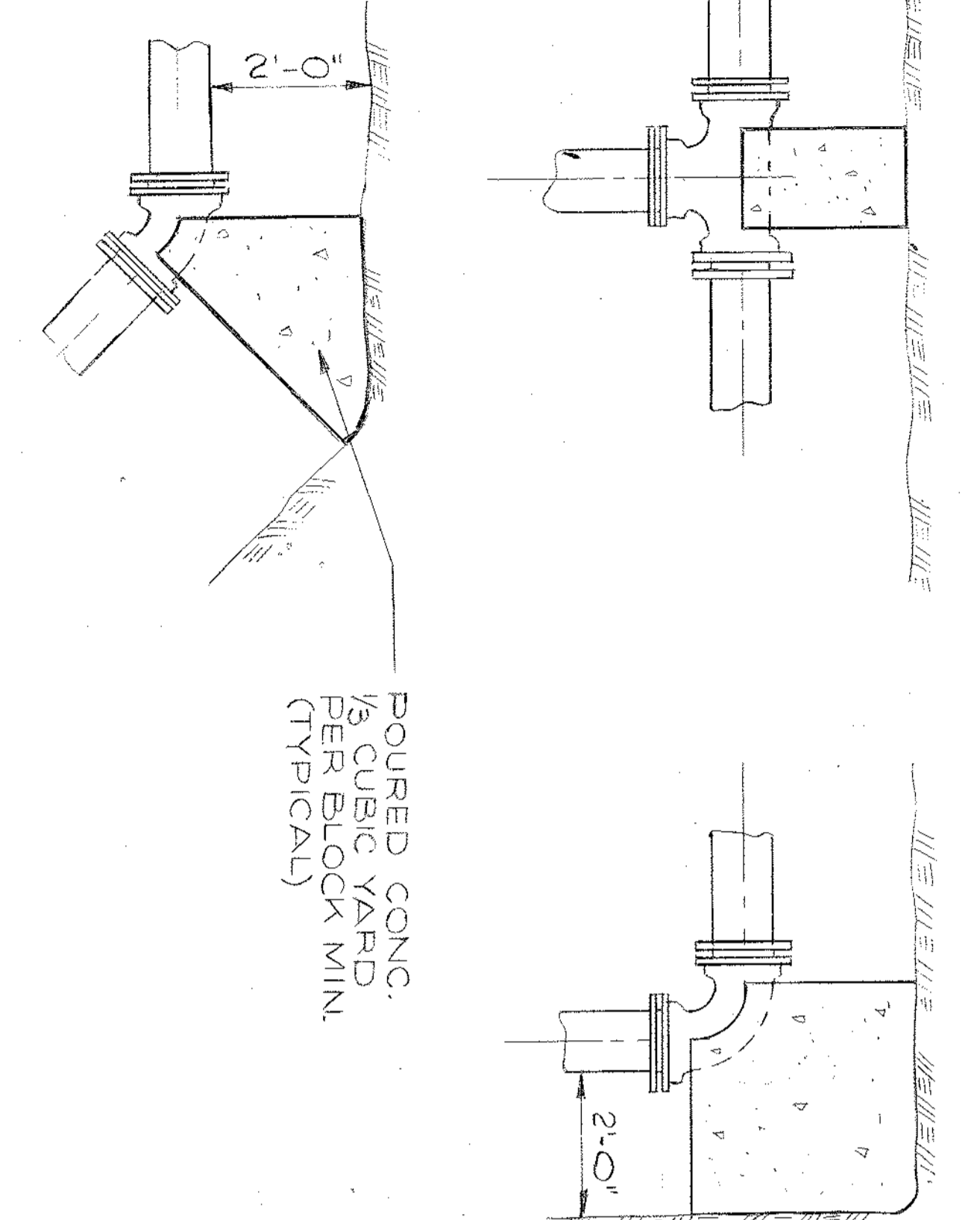


TYPICAL PAVEMENT REPAIR
NO SCALE

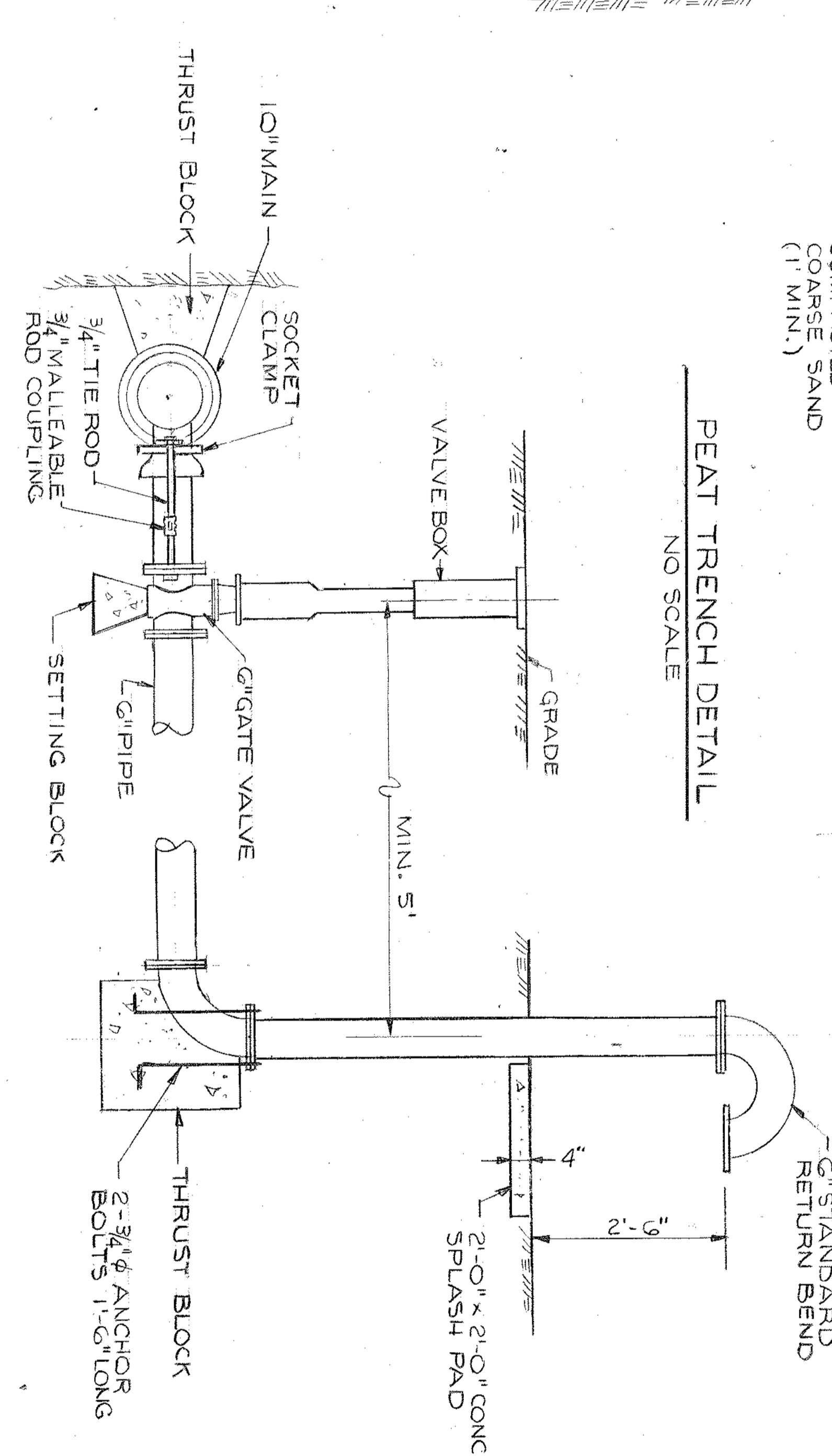


TYPICAL SLEEVE DETAIL
NO SCALE

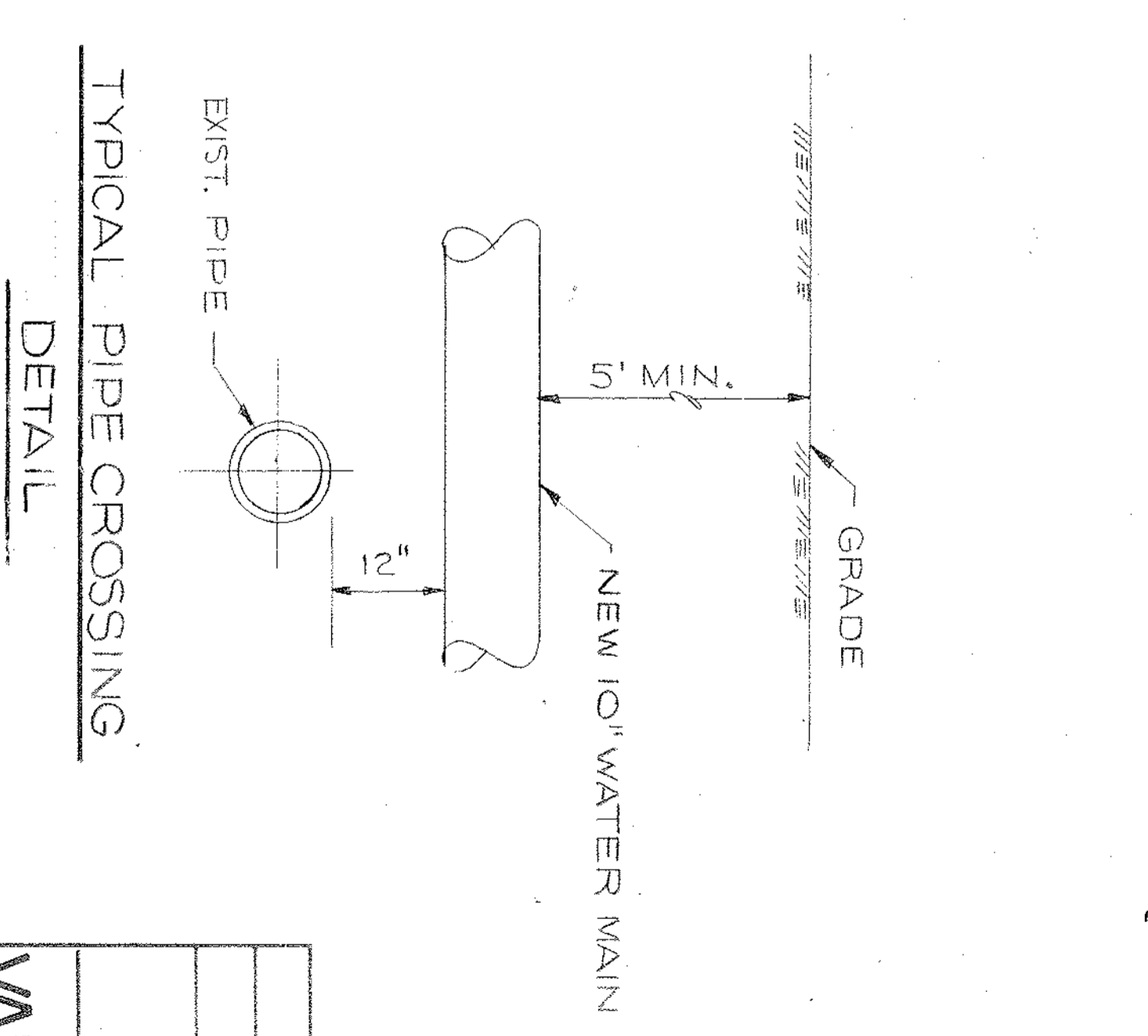
NOTE:
ANNULUS BETWEEN SLEEVE AND WATER MAIN SHALL BE SEALED WITH CONG. SEAL PLUG AT EACH END



WATER MAIN THRUST BLOCK DETAILS
NO SCALE

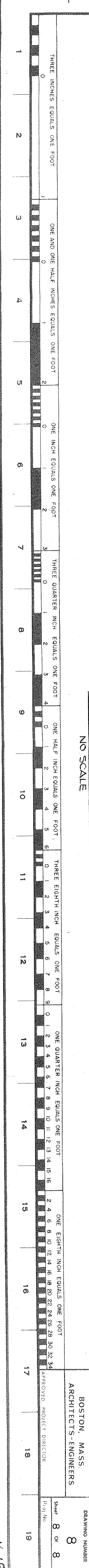


BLOW-OFF DETAIL
NO SCALE



TYPICAL PIPE CROSSING
DETAIL

PIPE DETAIL
CROSS SHAWMSEEN RIVER
SCALE 1/2" = 1'-0"



SECTIONS AND DETAILS	
WATER MAIN	
VIBRANS ADMINISTRATION	
VAH BEDFORD, MASS.	
Drawn: AP	Checked: PCP
Checked: MJS	Design: MST
ALONZO B. REED INC.	
BOSTON, MASS.	
ARCHITECTS-ENGINEERS	
Sheet: 8	of 8
Drawing Number: 8	Revision: 8